

# **User's and Service Guide**

## **Agilent Technologies 11644A X, P, and K Waveguide Calibration Kits**

This manual applies to 11644A series calibration kits with  
serial number prefix 3032A.



**Agilent Part Number: 11644-90371**

**Printed in USA**

**Print Date: June 2006**

Supersedes: October 2002

---

## **Documentation Warranty**

THE MATERIAL CONTAINED IN THIS DOCUMENT IS PROVIDED "AS IS," AND IS SUBJECT TO BEING CHANGED, WITHOUT NOTICE, IN FUTURE EDITIONS. FURTHER, TO THE MAXIMUM EXTENT PERMITTED BY APPLICABLE LAW, AGILENT DISCLAIMS ALL WARRANTIES, EITHER EXPRESS OR IMPLIED WITH REGARD TO THIS MANUAL AND ANY INFORMATION CONTAINED HEREIN, INCLUDING BUT NOT LIMITED TO THE IMPLIED WARRANTIES OF MERCHANTABILITY AND FITNESS FOR A PARTICULAR PURPOSE. AGILENT SHALL NOT BE LIABLE FOR ERRORS OR FOR INCIDENTAL OR CONSEQUENTIAL DAMAGES IN CONNECTION WITH THE FURNISHING, USE, OR PERFORMANCE OF THIS DOCUMENT OR ANY INFORMATION CONTAINED HEREIN. SHOULD AGILENT AND THE USER HAVE A SEPARATE WRITTEN AGREEMENT WITH WARRANTY TERMS COVERING THE MATERIAL IN THIS DOCUMENT THAT CONFLICT WITH THESE TERMS, THE WARRANTY TERMS IN THE SEPARATE AGREEMENT WILL CONTROL.

---

## **Assistance**

Product maintenance agreements and other customer assistance agreements are available for Agilent products.

For any assistance, contact Agilent Technologies. Refer to [“Contacting Agilent” on page 6-4](#).

---

# Contents

## 1. General Information

|   |     |
|---|-----|
| Calibration Kit Overview . . . . .                    | 1-2 |
| Kit Contents . . . . .                                | 1-2 |
| Compatible Network Analyzers . . . . .                | 1-2 |
| Equipment Required but Not Supplied . . . . .         | 1-3 |
| Calibration Kit History . . . . .                     | 1-3 |
| 11644A Series Kits with Serial Prefix 3012A . . . . . | 1-3 |
| Incoming Inspection . . . . .                         | 1-3 |
| Recording the Device Serial Numbers . . . . .         | 1-4 |
| Preventive Maintenance . . . . .                      | 1-5 |

## 2. Specifications

|   |     |
|---|-----|
| Environmental Requirements . . . . .        | 2-2 |
| Temperature—What to Watch Out For . . . . . | 2-2 |
| Mechanical Characteristics . . . . .        | 2-3 |
| Adapters . . . . .                          | 2-3 |
| ¼ Wavelength Shims . . . . .                | 2-3 |
| Shorts . . . . .                            | 2-4 |
| Electrical Specifications . . . . .         | 2-5 |
| Measurement Uncertainty . . . . .           | 2-5 |
| Certification . . . . .                     | 2-6 |

## 3. User Information

|   |     |
|---|-----|
| Calibration Devices and Their Use . . . . .                     | 3-2 |
| Short . . . . .   | 3-2 |
| Termination . . . . .   | 3-2 |
| ¼ Wavelength Shim . . . . .                                     | 3-2 |
| Standard Section . . . . .                                      | 3-2 |
| Measurement Applications . . . . .                              | 3-3 |
| Isolation . . . . .   | 3-3 |
| Line . . . . .  | 3-3 |
| Load . . . . .  | 3-4 |
| Offset Load . . . . .   | 3-4 |
| Offset Short . . . . .  | 3-5 |
| Reflect . . . . .   | 3-5 |
| Short . . . . .   | 3-5 |
| Thru . . . . .  | 3-6 |
| ¼ Wavelength Load . . . . .                                     | 3-6 |
| ¼ Wavelength Short . . . . .                                    | 3-6 |
| Changing the ¼ Wavelength Shim Calibration Definition . . . . . | 3-7 |

## 4. Use, Maintenance, and Care of the Devices

|   |     |
|---|-----|
| Electrostatic Discharge . . . . .                         | 4-2 |
| Visual Inspection . . . . .                               | 4-3 |
| Cleaning the Mating Plane Surfaces . . . . .              | 4-3 |
| Connections . . . . .                                     | 4-5 |
| Waveguide Devices . . . . .                               | 4-5 |
| Precision Flanges . . . . .                               | 4-5 |
| Aligning Two Precision Flanges . . . . .                  | 4-6 |
| Aligning a Precision and a Non-Precision Flange . . . . . | 4-7 |

|   |      |
|---|------|
| Tightening a Flange Connection . . . . .                | 4-8  |
| Inspecting a Flange Connection . . . . .                | 4-8  |
| Handling and Storage . . . . .                          | 4-9  |
| <b>5. Performance Verification</b>                      |      |
| Introduction . . . . .                                  | 5-2  |
| How Agilent Verifies the Devices in Your Kit . . . . .  | 5-2  |
| Recertification . . . . .                               | 5-3  |
| How Often to Recertify . . . . .                        | 5-3  |
| Where to Send a Kit for Recertification . . . . .       | 5-3  |
| Performance Test . . . . .                              | 5-4  |
| Termination Return Loss Measurement . . . . .           | 5-4  |
| In Case of Failure . . . . .                            | 5-5  |
| System Operation Checks . . . . .                       | 5-6  |
| 8510 System Operation Check . . . . .                   | 5-6  |
| The S11 and S22 of a Shorted Standard Section . . . . . | 5-6  |
| The S11 and S22 of a Thru Measurement . . . . .         | 5-8  |
| The S21 and S12 of a Thru Measurement . . . . .         | 5-9  |
| In Case of Failure . . . . .                            | 5-10 |
| 872x System Operation Check . . . . .                   | 5-12 |
| The S11 and S22 of a Shorted Standard Section . . . . . | 5-12 |
| The S11 and S22 of a Thru Measurement . . . . .         | 5-13 |
| The S21 and S12 of a Thru Measurement . . . . .         | 5-13 |
| In Case of Failure . . . . .                            | 5-14 |
| <b>6. Troubleshooting</b>                               |      |
| Troubleshooting Process . . . . .                       | 6-2  |
| Returning a Kit or Device to Agilent . . . . .          | 6-3  |
| Where to Look for More Information . . . . .            | 6-3  |
| Contacting Agilent . . . . .                            | 6-4  |
| <b>7. Replaceable Parts</b>                             |      |
| Introduction . . . . .                                  | 7-3  |
| <b>A. Standard Definitions</b>                          |      |
| Version Changes . . . . .                               | A-2  |
| Standard Class Assignments . . . . .                    | A-3  |
| Blank Forms . . . . .                                   | A-6  |
| Nominal Standard Definitions . . . . .                  | A-8  |
| Setting the System Impedance . . . . .                  | A-8  |
| Blank Forms . . . . .                                   | A-15 |

---

# **1 General Information**

## Calibration Kit Overview

This waveguide calibration kit is used to calibrate network analyzer systems (such as the Agilent 8510, 872x, or PNA series). With the calibration data properly loaded in the network analyzer and a measurement calibration completed, systematic errors are minimized.

### Kit Contents

Refer to [Chapter 7, “Replaceable Parts,”](#) for a complete list of kit contents and their associated part numbers.

The basic 11644A calibration kit includes the following items:

- user’s and service guide
- 7 mm (P-band and X-band) or 3.5 mm (K-band) coax-to-waveguide adapters
- short, shim, termination, and standard sections
- data disks that contain the calibration definitions of the devices in the calibration kit

The standards in this calibration kit allow you to perform simple 1- or 2-port and TRM (thru-reflect-match) calibrations.

For your convenience, two different lengths of screws are provided in this kit. While you can use the long screws for any connection, the shorter screws provide a faster connection for two-flange connections.

---

**NOTE**      A backup copy of each data disk should be made immediately upon receipt of the calibration kit. Refer to your analyzer user’s guide or embedded help system for instructions on duplicating a disk.

---

### Compatible Network Analyzers

The 11644A calibration kits are intended to be used with the following Agilent network analyzers:

- 8510 series
- 872x series
- PNA microwave series

If this calibration kit is used with other network analyzers, the calibration definitions must be manually entered into the network analyzer. Refer to your network analyzer user’s guide or embedded help for instructions.

## Equipment Required but Not Supplied

Cleaning supplies and various electrostatic discharge (ESD) protection devices are not supplied with the calibration kit but are required to ensure successful operation of the kit. Refer to [Table 7-4 on page 7-10](#) for their associated part numbers.

---

## Calibration Kit History

This manual applies to any Agilent 11644A series (X, P, or K) waveguide calibration kits whose serial number prefix is 3032A and above. If your calibration kit has a different serial number prefix, refer to the next section for information on how this manual applies.

### 11644A Series Kits with Serial Prefix 3012A

These calibration kits did not have the calibration definitions disk to support the Agilent 8510C network analyzer. The part numbers provided in this manual are the recommended replacement parts for these kits. The devices in these kits should meet the specifications published in this manual.

---

## Incoming Inspection

Refer to [“Kit Contents” on page 1-2](#) to verify a complete shipment. Use [Table 1-1](#) in this chapter to record the serial numbers of all serialized devices in your kit.

Verify that the case and its contents are not damaged. The foam-lined storage case provides protection during shipping. If the case or any device appears damaged, or if the shipment is incomplete, refer to [“Contacting Agilent” on page 6-4](#). Agilent will arrange for repair or replacement of incomplete or damaged shipments without waiting for a settlement from the transportation company. Refer to [“Returning a Kit or Device to Agilent” on page 6-3](#).

## Recording the Device Serial Numbers

In addition to the kit serial number, the devices in the kit are individually serialized (serial numbers are labeled onto the body of each device). Record these serial numbers in the appropriate table. Recording the serial numbers will prevent confusing the devices in this kit with similar devices from other kits.

**Table 1-1 Serial Number Record**

| Device                                      | Serial Number |
|---|---------------|
| <b>Frequency band</b>                       |               |
| <b>Calibration kit</b>                      |               |
| Termination                                 |               |
| Termination                                 |               |
| Standard section                            |               |
| Shim  |               |
| Short                                       |               |
| <b>Adapters</b>                             |               |
| 7 mm coax-to-waveguide (X-band WR-90)       |               |
| 7 mm coax-to-waveguide (X-band WR-90)       |               |
| 7 mm coax-to-waveguide (P-band WR-62)       |               |
| 7 mm coax-to-waveguide (P-band WR-62)       |               |
| (f) 3.5 mm coax-to-waveguide (K-band WR-42) |               |
| (m) 3.5 mm coax-to-waveguide (K-band WR-42) |               |



## Preventive Maintenance

The best techniques for maintaining the integrity of the devices in the kit include:

- routine visual inspection
- routine cleaning
- proper gaging
- proper connection techniques

All of these are described in [Chapter 4](#). Failure to detect and remove dirt or metallic particles on a mating plane surface can degrade repeatability and accuracy and can damage any device mated to it. Improper connections resulting from poor connection techniques, can also damage these devices.



---

## **2 Specifications**

---

## Environmental Requirements

**Table 2-1 Environmental Requirements**

| Parameter                          | Limits                                       |
|------------------------------------|--|
| Temperature                        |  |
| Operating <sup>a</sup>             | +20 °C to +26 °C                             |
| Storage                            | -40 °C to +75 °C                             |
| Error-corrected range <sup>b</sup> | ±1 °C of measurement calibration temperature |
| Altitude                           |  |
| Operating                          | < 4,500 meters (≈15,000 feet)                |
| Storage                            | < 4,500 meters (≈15,000 feet)                |
| Relative humidity                  | Always non-condensing                        |
| Operating                          | Up to 80% at 30 °C                           |
| Storage                            | Up to 90% at 40 °C                           |

- a. The temperature range over which the calibration standards maintain performance to their specifications.
- b. The allowable network analyzer ambient temperature drift during measurement calibration and during measurements when the network analyzer error correction is turned on. Also, the range over which the network analyzer maintains its specified performance while correction is turned on.

### Temperature—What to Watch Out For

Changes in temperature can affect electrical characteristics. Therefore, the operating temperature is a critical factor in performance. During a measurement calibration, the temperature of the calibration devices must be stable and within the range shown in [Table 2-1](#).

---

**IMPORTANT** Avoid unnecessary handling of the devices during calibration because your fingers act as a heat source and may increase the temperature of the device.

---

## Mechanical Characteristics

Table 2-2 and Table 2-3 list the typical characteristics of the adapters and  $\frac{1}{4}$  wavelength shims in your kit. These are *not* specifications, but are included as additional information.

### Adapters

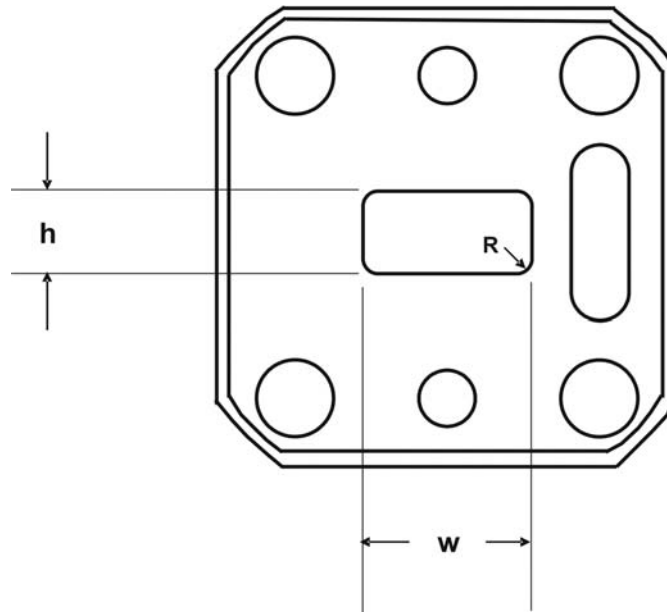
**Table 2-2 Mechanical Characteristics of Adapters**

| Frequency band | SWR <sup>a</sup> | Insertion Loss | Center Conductor   | Pin Recession Tolerance | Equivalent Flange Type |
|----------------|------------------|----------------|--------------------|-------------------------|------------------------|
| X11644A WR-90  | < 1.05           | 0.08 dB        | 0.0076 to 0.038 mm | (0.0003 to 0.0015 in)   | UG-135/U               |
| P11644A WR-62  | < 1.06           | 0.10 dB        | 0.0076 to 0.038 mm | (0.0003 to 0.0015 in)   | UG-419/U               |
| K11644A WR-42  | < 1.07           | 0.12 dB        | 0.0076 to 0.038 mm | (0.0003 to 0.0015 in)   | UG-597/U               |

a. As measured with no gap between the full diameters of the male and female center conductors.

### $\frac{1}{4}$ Wavelength Shims

**Figure 2-1  $\frac{1}{4}$  Wavelength Shims**



**Table 2-3 Mechanical Characteristics of  $\frac{1}{4}$  Wavelength Shims**

| Part Number | Waveguide Band | W (mm)             | H (mm)            | R (mm)   | Thickness (mm)  |
|-------------|----------------|--------------------|-------------------|----------|-----------------|
| 11664-20021 | WR90           | 22.86 $\pm$ 0.01   | 10.16 $\pm$ 0.01  | 0.13 max | 9.78 $\pm$ 0.02 |
| 11664-20020 | WR62           | 15.80 $\pm$ 0.01   | 7.90 $\pm$ 0.01   |          | 6.50 $\pm$ 0.02 |
| 11664-20019 | WR42           | 10.671 $\pm$ 0.008 | 4.318 $\pm$ 0.008 |          | 4.5 $\pm$ 0.02  |

### Shorts

All waveguide shorts are flat within 0.008 mm.

## Electrical Specifications

Table 2-4 through Table 2-6 list the electrical specifications of the terminations,  $\frac{1}{4}$  wavelength shims, and standard sections in your kit.

**Table 2-4 Electrical Specifications of Terminations**

| Device        | Frequency       | Termination Specification |
|---------------|-----------------|---------------------------|
| X11644A WR-90 | 8.2 to 12.4 GHz | return loss $\geq$ 42 dB  |
| P11644A WR-62 | 12.4 to 18 GHz  | return loss $\geq$ 42 dB  |
| K11644A WR-42 | 18 to 26.5 GHz  | return loss $\geq$ 42 dB  |

**Table 2-5 Electrical Specifications of  $\frac{1}{4}$  Wavelength Shims**

| Part Number | Waveguide Band | Return Loss (dB) <sup>a</sup> |
|-------------|----------------|-------------------------------|
| 11664-20021 | WR90           | 55                            |
| 11664-20020 | WR62           |                               |
| 11664-20019 | WR42           |                               |

a. Return loss specification is guaranteed by mechanical specifications.

**Table 2-6 Electrical Specifications of Standard Sections**

| Device        | Frequency       | Standard Sections Specification |
|---------------|-----------------|---------------------------------|
| X11644A WR-90 | 8.2 to 12.4 GHz | return loss $\geq$ 42 dB        |
| P11644A WR-62 | 12.4 to 18 GHz  | return loss $\geq$ 42 dB        |
| K11644A WR-42 | 18 to 26.5 GHz  | return loss $\geq$ 42 dB        |

## Measurement Uncertainty

Vector Network Analyzer (VNA) measurement accuracy depends on the accuracy of the calibration standards, the calibration method employed, instrumentation accuracy and stability, environmental factors, and the actual characteristic of the device under test (DUT). Because of the complexity in these relationships, Agilent created uncertainty computation tools to calculate the overall measurement uncertainty of a VNA system. In the past, when the Agilent 8510 VNA system was being produced, a “Specification and Verification” RMB program was included to perform an uncertainty calculation. Currently, for the Agilent PNA and ENA families of network analyzers, a customer can download the

VNA Uncertainty Calculator program. (To access this program from the Web, navigate to [www.agilent.com](http://www.agilent.com) and enter “calculator” in the Search function.) Explanations of the uncertainty model are provided in the PNA embedded Help files. Additional references on VNA measurements are available from the Agilent Applications Notes and Technical Papers Web page, accessed from [www.agilent.com](http://www.agilent.com) by clicking on the Application Notes and Technical Papers hyperlink.

## **Certification**

Agilent Technologies certifies that this product met its published specifications at the time of shipment from the factory. Agilent further certifies that its calibration measurements are traceable to the United States National Institute of Standards and Technology (NIST) to the extent allowed by the institute’s calibration facility, and to the calibration facilities of other International Standards Organization members. See “[How Agilent Verifies the Devices in Your Kit](#)” on page 5-2 for more information.



## **3 User Information**

## Calibration Devices and Their Use

The P, K, and X11644A waveguide calibration kits contain termination load, standard sections, shim, and short.

For measurement convenience, these kits contain either 7 mm coax-to-waveguide adapters for P-band and X-band, or 3.5 mm coax-to-waveguide adapters for K-band. The adapters are intended for adapting coaxial test sets to waveguide.

The following briefly describes the design and construction of all the calibration kit devices.

---

**IMPORTANT** To ensure calibration accuracy, you must use the alignment slip pins in the precision flanges. Refer to [“Precision Flanges” on page 4-5](#).

---

### Short

A short is also called a flush short. It is connected directly to the test port, or used as an offset short when combined with the  $\frac{1}{4}$  wavelength shim.

### Termination

A termination is also called a load. It is connected directly to the test port, or used as an offset load when combined with the  $\frac{1}{4}$  wavelength shim.

### $\frac{1}{4}$ Wavelength Shim

A  $\frac{1}{4}$  wavelength shim is also called an offset, or  $\frac{1}{4}$  wavelength section. The shim is terminated by the short, fixed load, or the second test port of the analyzer.

### Standard Section

A standard section is used to check system operation after you complete a calibration.

---

## Measurement Applications

---

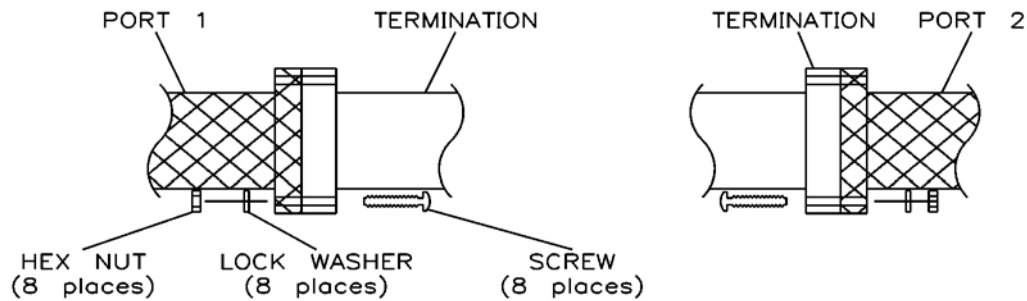
**NOTE** For your convenience, two different lengths of screws are provided in this kit. While you can use the long screws for any connection, the *shorter screws* provide a faster connection for two-flange connections.

---

### Isolation

In most cases, select the **OMIT ISOLATION** softkey on your network analyzer. You may also use the termination and the short as the port terminations by connecting one load to port 1 and the other load to port 2. See [Figure 3-1](#).

**Figure 3-1 Termination and Short**

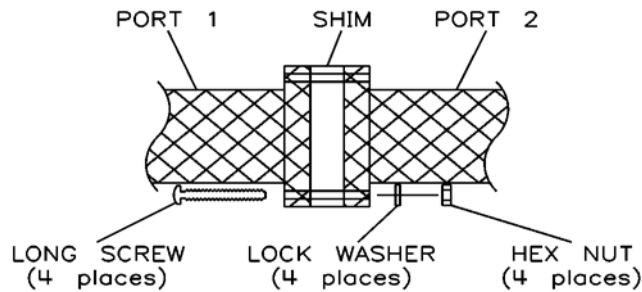


wx401a

### Line

Connect the shim between port 1 and port 2, as shown in [Figure 3-2](#).

**Figure 3-2 Connecting the Shim**

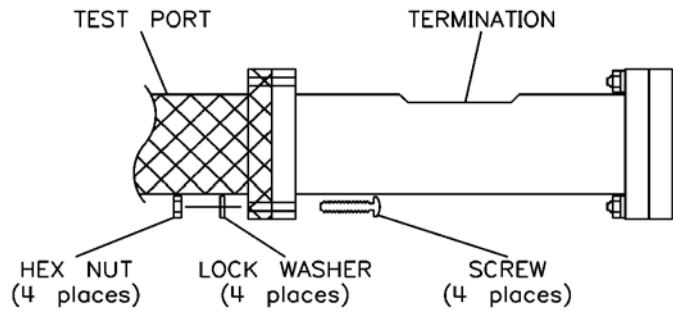


wx402a

## Load

Connect the termination to the appropriate test port, as shown in [Figure 3-3](#).

**Figure 3-3 Test Port and Termination**

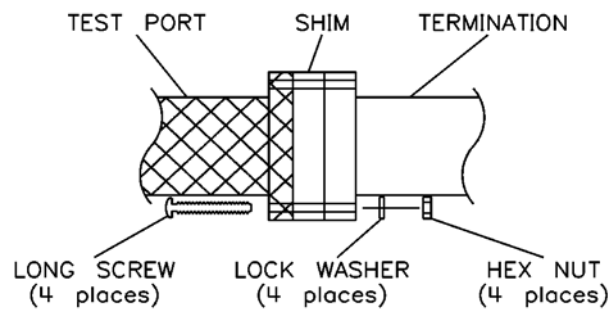


wx403a

## Offset Load

Connect the shim and the termination to the appropriate test port, as shown in [Figure 3-4](#).

**Figure 3-4 Connect the Shim, Termination, and Test Port**

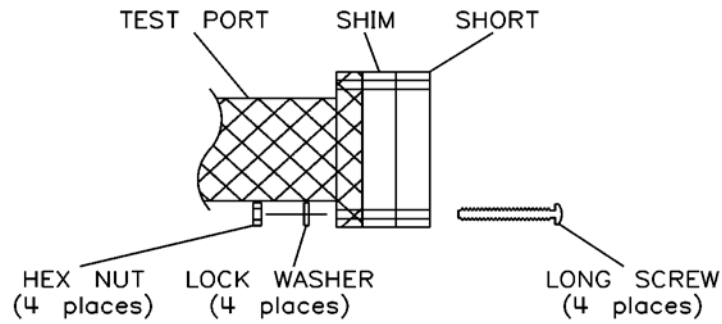


wx404a

## Offset Short

Connect the shim and the short to the appropriate test port, as shown in [Figure 3-5](#).

**Figure 3-5 Connect the Shim, Short, and Test Port**

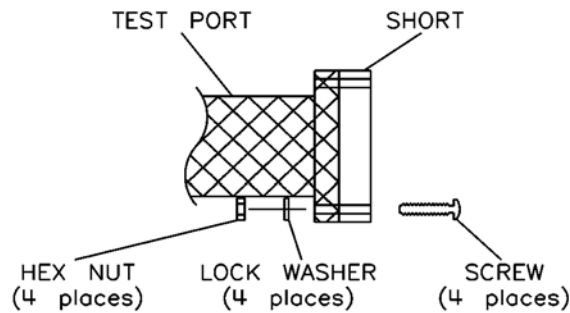


wx405a

## Reflect

Connect the short to the appropriate test port, as shown in [Figure 3-6](#).

**Figure 3-6 Connect the Short to the Test Port**



wx406a

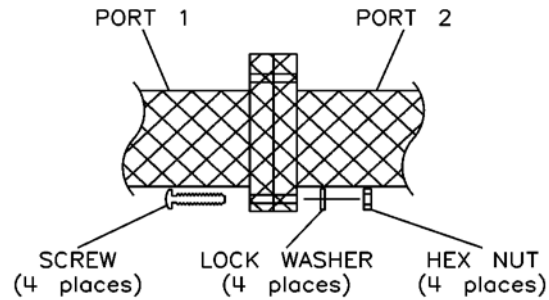
## Short

See [“Reflect”](#).

## Thru

No device is required for this. Connect port 1 to port 2, as shown in [Figure 3-7](#).

**Figure 3-7 Port 1 and Port 2**



wx407a

## $\frac{1}{4}$ Wavelength Load

See [“Offset Load”](#).

## $\frac{1}{4}$ Wavelength Short

See [“Offset Short”](#).

## Changing the ¼ Wavelength Shim Calibration Definition

The calibration kit definition data provided with this kit has a nominal value for the ¼ wavelength shim offset delay. You may use the nominal value provided, or measure the exact thickness of the shim and use that value to calculate its exact offset delay. Use the following procedure to change the nominal value of the ¼ wavelength shim delay to reflect the specific device in your kit.

1. Load the calibration kit data into Cal Kit 1.
2. Using the formula below, calculate the offset delay:

$$\frac{\text{length of } \frac{1}{4} \text{ wavelength section (mm)}}{299.6953 \frac{\text{mm}}{\text{ns}} (\text{propagation velocity in air})} = \text{offset delay (ns)}$$

---

**NOTE**      The value of the propagation velocity in air is corrected for a temperature of 23 °C, 50% relative humidity, and 760 mm Hg of pressure.

---





---

## **4 Use, Maintenance, and Care of the Devices**

## Electrostatic Discharge

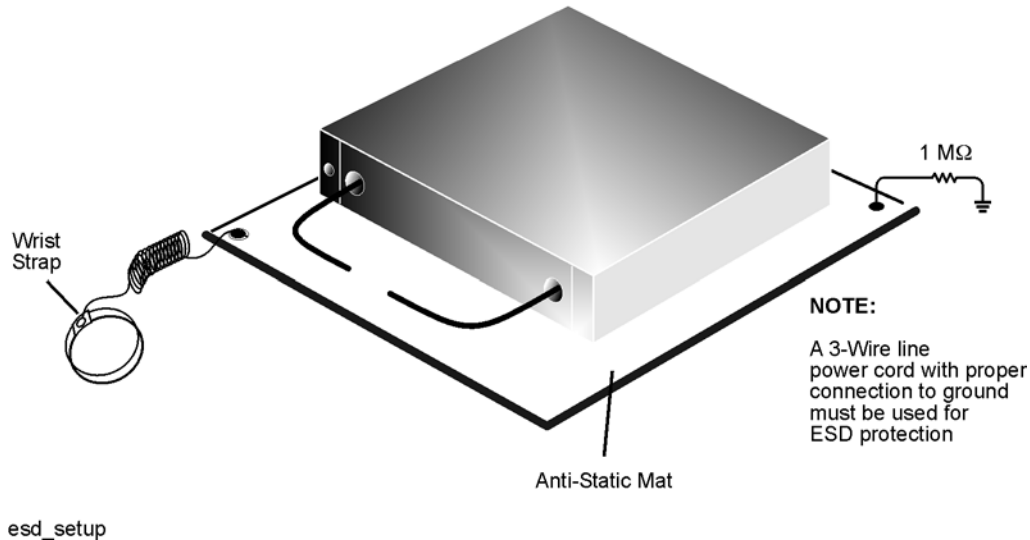
Protection against electrostatic discharge (ESD) is essential while connecting, inspecting, or cleaning connectors attached to a static-sensitive circuit (such as those found in test sets).

Static electricity can build up on your body and can easily damage sensitive internal circuit elements when discharged. Static discharges too small to be felt can cause permanent damage. Devices such as calibration components and devices under test (DUT), can also carry an electrostatic charge. To prevent damage to the test set, components, and devices:

- *always* wear a grounded wrist strap having a 1 M $\Omega$  resistor in series with it when handling components and devices or when making connections to the test set.
- *always* use a grounded antistatic mat in front of your test equipment.
- *always* wear a heel strap when working in an area with a conductive floor. If you are uncertain about the conductivity of your floor, wear a heel strap.
- *always* ground yourself before you clean, inspect, or make a connection to a static-sensitive device or test port. You can, for example, grasp the grounded outer shell of the test port or cable connector briefly.
- *always* ground the center conductor of a test cable before making a connection to the analyzer test port or other static-sensitive device. This can be done as follows:
  1. Connect a short (from your calibration kit) to one end of the cable to short the center conductor to the outer conductor.
  2. While wearing a grounded wrist strap, grasp the outer shell of the cable connector.
  3. Connect the other end of the cable to the test port.
- Remove the short from the cable.

Figure 4-1 shows a typical ESD protection setup using a grounded mat and wrist strap. Refer to Table 7-4 on page 7-10 for information on ordering supplies for ESD protection.

**Figure 4-1 ESD Protection Setup**



---

## Visual Inspection

Visual inspection and, if necessary, cleaning should be done every time a connection is made. Inspect mating surfaces for dirt, dust, foreign particles, or scratches, which can degrade device performance. A damaged mating surface can damage any good surface connected to it. If necessary, clean all mating surfaces.

---

## Cleaning the Mating Plane Surfaces

### 1. Use Compressed Air or Nitrogen

---

**WARNING** Always use protective eyewear when using compressed air or nitrogen.

---

Use compressed air (or nitrogen) to loosen particles on the mating plane surfaces. Clean air cannot damage a device or leave particles or residues behind.

You can use any source of clean, dry, low-pressure compressed air or nitrogen that has an effective oil-vapor filter and liquid condensation trap placed just before the outlet hose.

Ground the hose nozzle to prevent electrostatic discharge, and set the air pressure to less than 414 kPa (60 psi) to control the velocity of the air stream. High-velocity streams of compressed air can cause electrostatic effects when directed into a device.

These electrostatic effects can damage the device. Refer to “[Electrostatic Discharge](#)” earlier in this chapter for additional information.

---

**WARNING**    **Keep isopropyl alcohol away from heat, sparks, and flame. Store in a tightly closed container. It is extremely flammable. In case of fire, use alcohol foam, dry chemical, or carbon dioxide; water may be ineffective.**

**Use isopropyl alcohol with adequate ventilation and avoid contact with eyes, skin, and clothing. It causes skin irritation, may cause eye damage, and is harmful if swallowed or inhaled. It may be harmful if absorbed through the skin. Wash thoroughly after handling.**

**In case of spill, soak up with sand or earth. Flush spill area with water.**

**Dispose of isopropyl alcohol in accordance with all applicable federal, state, and local environmental regulations.**

---

## 2. Clean the Mating Plane Surfaces

- a. Apply a small amount of isopropyl alcohol to a lint-free cleaning swab.
- b. Clean the mating plane surfaces.
- c. Let the alcohol evaporate, then blow the mating plane surface dry with a gentle stream of clean, low-pressure compressed air or nitrogen. Always completely dry a device before you reassemble or use it.

## 3. Inspect

- a. Inspect the mating plane surface to make sure that no particles or residue remain. “[Visual Inspection](#)” on page 4-3.

---

## Connections

Good connections require a skilled operator. Slight errors in operator technique can have a significant effect on measurements and measurement uncertainties. *The most common cause of measurement error is poor connections.*

The following procedures illustrate how to make good connections.

## Waveguide Devices

---

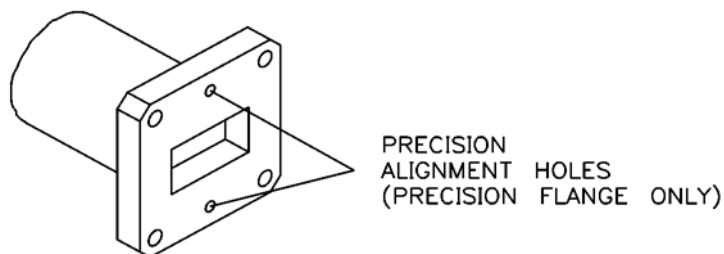
**IMPORTANT** Unlike threaded devices, the WR-90, WR-62, WR-42 waveguide mating planes are flanges (often precision) that you must carefully screw together. Always connect waveguide in the same flange orientation. For example, use the label as a reference and always connect a device with the label facing the same direction.

---

## Precision Flanges

A precision flange has four corner screw holes *and* two precision alignment holes, as shown in [Figure 4-2](#). A non-precision flange has only four corner screw holes.

**Figure 4-2 Precision Alignment Holes**

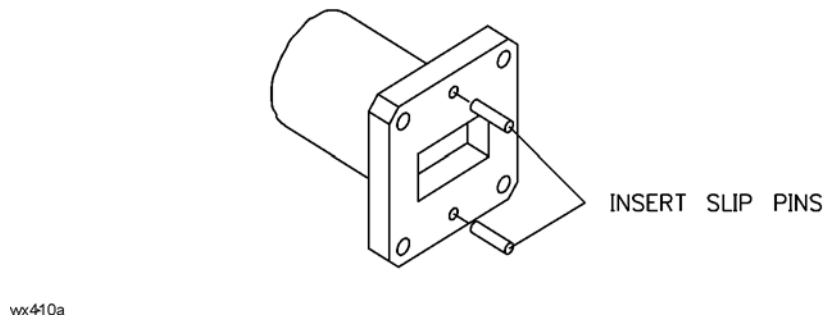


wx409a

## Aligning Two Precision Flanges

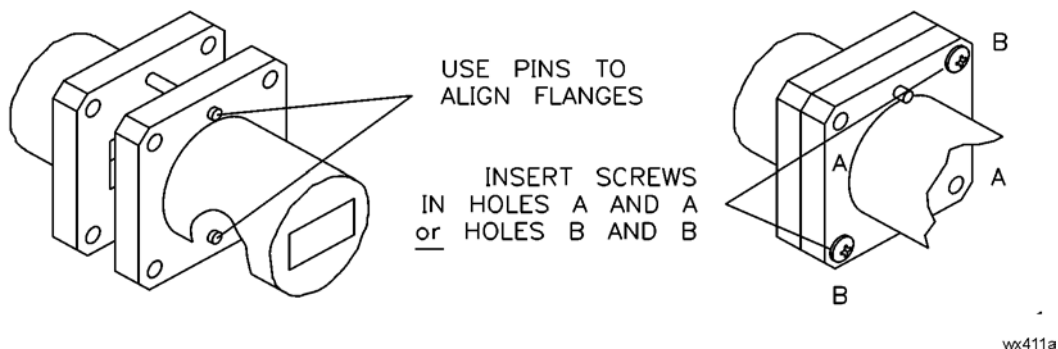
1. Place the slip pins in the top and bottom holes of one flange, as shown in [Figure 4-3](#).

**Figure 4-3** Inserting Slip Pins



2. Using the pins as guides, carefully align the flanges and insert two screws in the diagonal corner holes, as shown in [Figure 4-4](#).

**Figure 4-4** Aligning Flanges

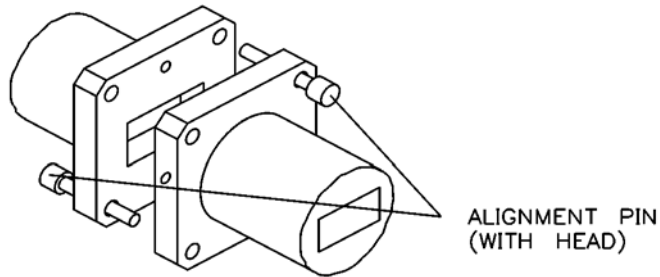


3. Place a lock washer and nut on each screw, and finger tighten.
4. Insert the remaining two screws.
5. Place a lock washer and nut on each screw, and finger tighten.
6. Remove the slip pins.
7. Go to [“Tightening a Flange Connection”](#) on page 4-8.

## Aligning a Precision and a Non-Precision Flange

1. Place an alignment pin (with head) in the corner hole of one flange. Place a second alignment pin in the diagonal corner hole of the second flange, as shown in [Figure 4-5](#).

**Figure 4-5** Aligning Pins



wx412a

2. Using the pins as guides, carefully align the flanges and insert two screws in the diagonal corner holes.
3. Place a lock washer and nut on each screw, and finger tighten.
4. Remove the alignment pins and insert the remaining two screws.
5. Place a lock washer and nut on each screws, and finger tighten.
6. Go to [“Tightening a Flange Connection”](#) on page 4-8.

## Tightening a Flange Connection

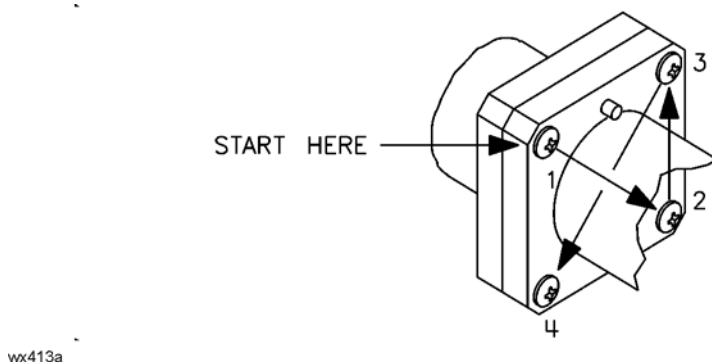
---

**NOTE** The best connection has symmetrical pressure applied as you gradually tighten the screws.

---

1. In an “X” pattern (for equal compression), tighten all four screws using a hex ball driver. Do *not* over-tighten. See [Figure 4-6](#).
2. Visually inspect the connection. Refer to the following section “[Inspecting a Flange Connection](#).”

**Figure 4-6 “X” Screw Pattern**



## Inspecting a Flange Connection

Inspect the flange connection as follows:

1. Place an electric light or white paper behind the connection.
2. Check the flange matings for any gap. A good connection has no gaps between the connected waveguide flanges, and the waveguide walls are flush. There is no step or offset.
3. Ensure that all four screws are equally tight.

---

**NOTE** The most common cause of measurement error is a poor connection.

---



## Handling and Storage

- Install the protective end caps and store the calibration devices in the foam-lined storage case when not in use.
- Never store devices loose in a box, or in a desk or bench drawer. This is the most common cause of device damage during storage.
- Keep devices clean.
- Do not touch mating plane surfaces. Natural skin oils and microscopic particles of dirt are easily transferred to a device and are very difficult to remove.
- Do not set devices contact-end down on a hard surface. The plating and the mating plane surfaces can be damaged if the interface comes in contact with any hard surface.



---

## **5 Performance Verification**

## Introduction

The performance of your calibration kit can only be verified by returning the kit to Agilent Technologies for recertification. The equipment and calibration standards required to verify the specifications of the limits of the devices in the kit have been specially manufactured and are not commercially available.

---

## How Agilent Verifies the Devices in Your Kit

Agilent verifies the specifications of these devices as follows:

1. The residual microwave error terms of the test system are verified with precision airlines and shorts that are directly traced to the National Institute of Standards and Technology (NIST). The airline and short characteristics are developed from mechanical measurements. The mechanical measurements and material properties are carefully modeled to give very accurate electrical representation. The mechanical measurements are then traced to NIST through various plug and ring gages and other mechanical measurements.
2. Each calibration device is electrically tested on this system. For the initial (before sale) testing of the calibration devices, Agilent includes the test measurement uncertainty as a guardband to guarantee each device meets the published specification. For recertifications (after sale), no guardband is used and the measured data is compared directly with the specification to determine the pass or fail status. The measurement uncertainty for each device is, however, recorded in the calibration report that accompanies recertified kits.

These two steps establish a traceable link to NIST for Agilent to the extent allowed by the institute's calibration facility. The specifications data provided for the devices in the kit is traceable to NIST through Agilent Technologies.

---

## Recertification

The following will be provided with a recertified kit:

- a new calibration sticker affixed to the case
- a certificate of calibration
- a calibration report for each device in the kit listing measured values, specifications, and uncertainties

---

**NOTE** A list of NIST traceable numbers may be purchased upon request to be included in the calibration report.

---

Agilent Technologies offers a *Standard* calibration for the recertification of the kit. For more information, contact Agilent Technologies. Refer to [“Contacting Agilent” on page 6-4](#) for a list of offices.

## How Often to Recertify

The suggested initial interval for recertification is 12 months or sooner. The actual need for recertification depends on the use of the kit. After reviewing the results of the initial recertification, you may establish a different recertification interval that reflects the usage and wear of the kit.

---

**NOTE** The recertification interval should begin on the date the kit is *first used* after the recertification date.

---

## Where to Send a Kit for Recertification

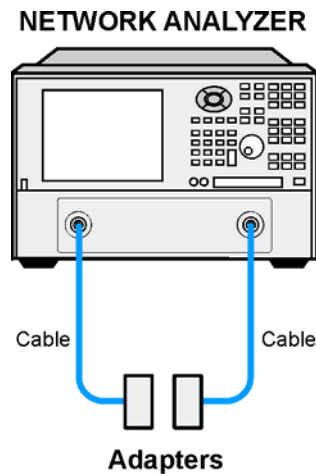
Contact Agilent Technologies for information on where to send your kit for recertification. Refer to [“Contacting Agilent” on page 6-4](#). Refer to [“Returning a Kit or Device to Agilent” on page 6-3](#) for details on sending your kit.

## Performance Test

### Termination Return Loss Measurement

For your convenience the following procedures have been included in this kit. Use this test, as needed, to check the performance of the terminations in this kit.

**Figure 5-1 Return Loss Test Setup**



wx425a

1. Connect the equipment as shown in [Figure 5-1](#). Turn on and preset the network analyzer. Let the equipment warm up for at least one hour.

---

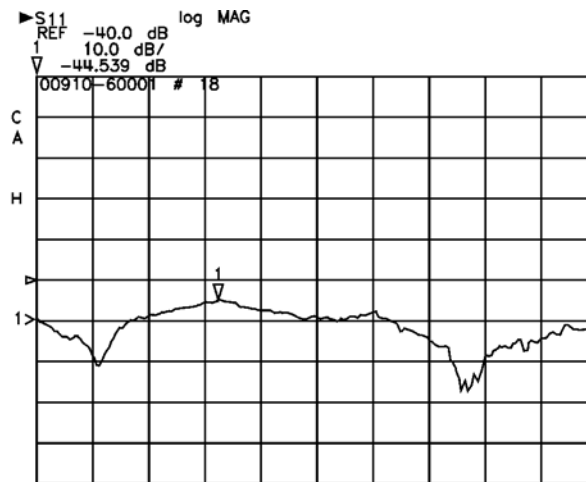
**NOTE**            The calibration kit definitions must already be loaded in the analyzer. Refer to your analyzer user's guide for information on how to load the calibration definitions.

---

2. Set the appropriate start frequency to:
  - 8.25 GHz (X-band)
  - 12.4 GHz (P-band)
  - 18 GHz (K-band)
3. Set the appropriate stop frequency to:
  - 12.4 GHz (X-band)
  - 18 GHz (P-band)
  - 26.5 GHz (K-band)

4. Set the averaging factor to 512.
5. At the adapter test port, perform a 2-port TRL calibration.
6. Turn on the calibration.
7. Connect the termination you wish to test to port 1.
8. Measure the return loss ( $S_{11}$ ) of the load.
9. After one complete measurement sweep, the displayed trace should look similar to that shown in [Figure 5-2](#).
10. If necessary, update the trace.
11. Use a marker to determine the maximum value on the trace. This marker determines worst-case return loss.

**Figure 5-2 Typical Termination Return Loss**



wx415a

### In Case of Failure

If a termination fails this test, clean all flanges and carefully reconnect the devices. Repeat the test. If the termination fails again, replace it. Refer to [Table 2-4, "Electrical Specifications of Terminations,"](#) on page 2-5.

## System Operation Checks

Use the following procedures and the standard section in this kit to verify the operation of your calibrated system.

---

**NOTE**        If you are using a different analyzer, refer to its documentation for specific measurement instructions.

---

### 8510 System Operation Check

1. Short the standard section and perform an  $S_{11}$  and an  $S_{22}$  measurement to verify that the ripple on the reflection of the shorted waveguide section does not exceed the limits listed in the tables on [page 5-11](#). If the ripple is less than the acceptable value, then the combination of directivity and source match errors of the calibrated system is within the factory specified values.
2. Check the  $S_{11}$  and  $S_{22}$  of a thru measurement. As in the previous step, the results of this check contain the directivity error, but, because of the thru connection to port 2, this measurement also contains errors contributed by other terms, including load match, the  $S_{11}$  and  $S_{22}$  of the standard sections, and transmission tracking. The actual or absolute return loss of the standard section should not exceed the acceptable values listed on [page 5-11](#).
3. Make an  $S_{21}$  and an  $S_{12}$  measurement. Ideally, the standard section is low loss. These measurements verify that the combination of source match error and load match error do not cause excess ripple on the trace. The trace ripple should not exceed the acceptable values listed in the tables on [page 5-11](#).
4. Record the results of each test in [Tables 5-1](#) through [5-3](#).

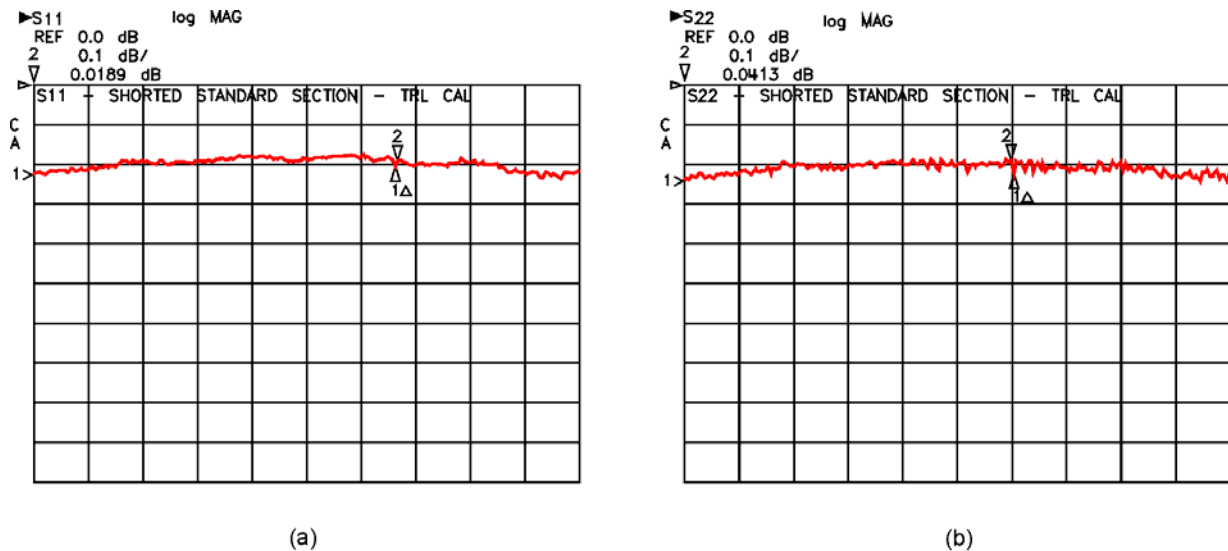
#### The $S_{11}$ and $S_{22}$ of a Shorted Standard Section

1. Set the averaging factor to 512.
2. Perform a TRL calibration.
3. Turn on the calibration.
4. Connect the standard section to port 1.
5. Connect the short to terminate the standard section.
6. Connect the load to port 2.



7. To set the display:
  - a. Press [S<sub>11</sub>].
  - b. Press RESPONSE [SCALE] [.1] [x1].
  - c. Select [REF POSN] [10] [x1].
  - d. Select [REF VALUE] [0] [x1].
  - e. Press MEASUREMENT [RESTART].
8. After one complete measurement sweep, the displayed trace should look similar to the typical trace shown in [Figure 5-3](#).
9. If necessary, select **Press to Continue** to update the trace.
10. Use the markers to determine the greatest peak-to-peak deviation of the ripple on the displayed trace (this is any positive peak to any adjacent negative peak):
  - a. Press MENUS [MARKER] and select **delta MODE MENU**.
  - b. Set the reference to marker 2.
  - c. Switch between markers 1 and 2 (in the delta mode) and position them to the highest and lowest peaks. (You may have to practice using the marker features to get the desired results.)

**Figure 5-3 Typical S<sub>11</sub> and S<sub>22</sub> Standard Section Ripple**



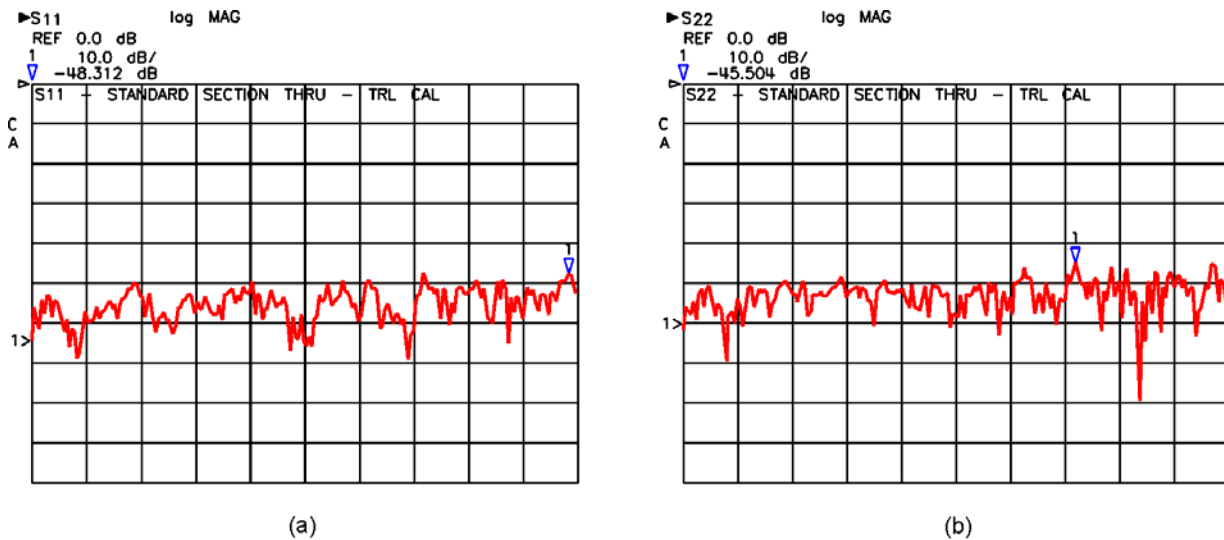
wx420a

11. Record the maximum peak-to-peak value in the appropriate table on [page 5-11](#).
12. Turn off the delta marker mode.
13. Repeat this procedure from step 7, and make an S<sub>22</sub> measurement on the standard section. Record the measured value in the appropriate table on [page 5-11](#).

## The $S_{11}$ and $S_{22}$ of a Thru Measurement

1. Verify that the calibration is still on.
2. Verify that the averaging factor is set to 512.
3. Connect the standard section to ports 1 and 2 to form a thru connection.
4. To set the display:
  - a. Press [ $S_{11}$ ].
  - b. Select RESPONSE [REF POSN] [10] [x1].
  - c. Press [SCALE] [10].
  - d. Press MEASUREMENT [RESTART].
5. After one complete measurement sweep, the displayed trace should look similar to the typical trace shown in Figure 5-4.
6. If necessary, select **Press to Continue** to update the trace.
7. Determine the maximum value on the trace (you can use a marker).
8. Record the maximum value in the appropriate table on page 5-11.
9. Repeat this procedure from step 4, and make an  $S_{22}$  measurement. Record the measured value in the appropriate table on page 5-11.

**Figure 5-4 Typical Corrected  $S_{11}$  and  $S_{22}$  Standard Section Thru**

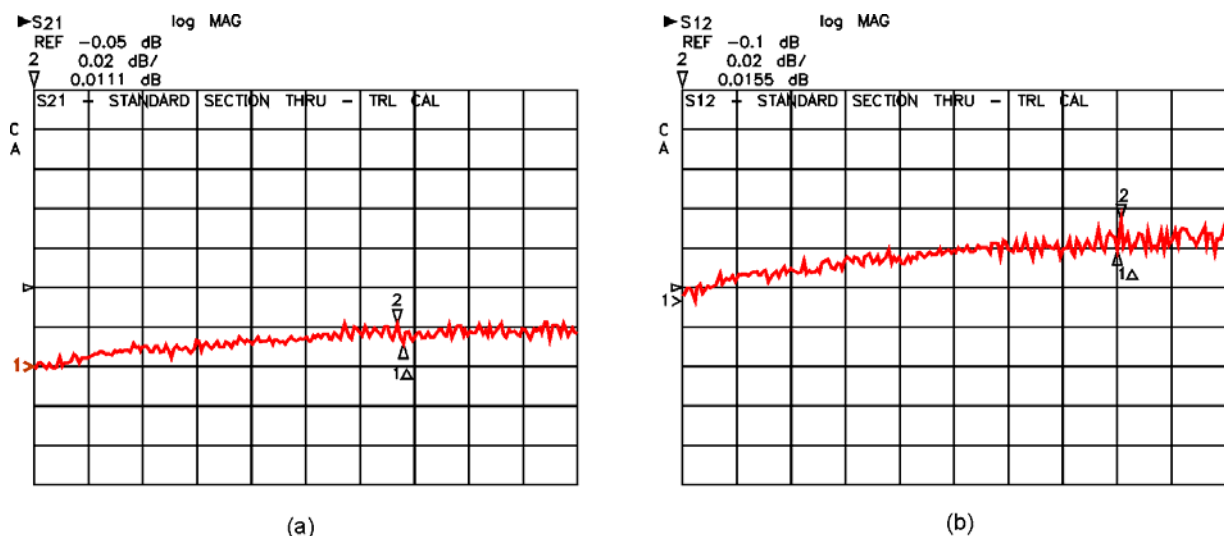


wx421a

## The $S_{21}$ and $S_{12}$ of a Thru Measurement

1. Verify that the calibration is still on.
2. Verify that the averaging factor is set to 512.
3. Connect the standard section to ports 1 and 2 to form a thru connection.
4. To set the display:
  - a. Press [ $S_{21}$ ].
  - b. RESPONSE [REF POSN] [5] [x1]
  - c. Select [REF VALUE [0] [x1].
  - d. Press [SCALE] [.02] [x1].
  - e. Select MEASUREMENT [RESTART].
5. After one complete measurement sweep, the displayed trace should look similar to the typical corrected trace shown in [Figure 5-5](#).
6. If necessary, select **Press to Continue** to update the trace.
7. Determine the greatest peak-to-peak deviation (this is any positive peak to any adjacent negative peak). You can use the markers, as described in the first test, to determine the peak-to-peak value.
8. Record the maximum peak-to-peak value in the appropriate table on [page 5-11](#).
9. Repeat this procedure from step 4, and make an  $S_{12}$  measurement. Record the measured value in the appropriate table on [page 5-11](#).
10. If you used the delta marker mode, don't forget to turn it off.

**Figure 5-5 Typical Corrected  $S_{21}$  and  $S_{12}$  Standard Section Ripple**



wx422a

### **In Case of Failure**

If a system check fails, recalibrate the system and repeat the entire procedure (all three measurements). Remember that poor connections are the most common cause of measurement errors. Also, both the hardware state and the instrument state must be correct. Reload disks or re-enter commands, if necessary, including the calibration kit definitions. If the test continues to fail:

- Save the instrument state.
- Write down *all* of the symptoms.
- Refer to [Chapter 6](#) for troubleshooting and contact information.

**Table 5-1 Using a TRL Calibration X11644A WR-90 (X-band)**

| Test                      | Measured Value | Acceptable Value          | Pass (Yes/No) |
|---------------------------|----------------|---------------------------|---------------|
| S <sub>11</sub> , shorted |                | ≤ 0.15 dB <sub>p-p</sub>  |               |
| S <sub>22</sub> , shorted |                | ≤ 0.15 dB <sub>p-p</sub>  |               |
| S <sub>11</sub> , thru    |                | ≤ -45 dB                  |               |
| S <sub>22</sub> , thru    |                | ≤ -45 dB                  |               |
| S <sub>21</sub> , thru    |                | ≤ 0.017 dB <sub>p-p</sub> |               |
| S <sub>12</sub> , thru    |                | ≤ 0.017 dB <sub>p-p</sub> |               |

**Table 5-2 Using a TRL Calibration P11644A WR-62 (P-band)**

| Test                      | Measured Value | Acceptable Value          | Pass (Yes/No) |
|---------------------------|----------------|---------------------------|---------------|
| S <sub>11</sub> , shorted |                | ≤ 0.26 dB <sub>p-p</sub>  |               |
| S <sub>22</sub> , shorted |                | ≤ 0.26 dB <sub>p-p</sub>  |               |
| S <sub>11</sub> , thru    |                | ≤ -42 dB                  |               |
| S <sub>22</sub> , thru    |                | ≤ -42 dB                  |               |
| S <sub>21</sub> , thru    |                | ≤ 0.021 dB <sub>p-p</sub> |               |
| S <sub>12</sub> , thru    |                | ≤ 0.021 dB <sub>p-p</sub> |               |

**Table 5-3 Using a TRL Calibration K11644A WR-42 (K-band)**

| Test                      | Measured Value | Acceptable Value          | Pass (Yes/No) |
|---------------------------|----------------|---------------------------|---------------|
| S <sub>11</sub> , shorted |                | ≤ 0.40 dB <sub>p-p</sub>  |               |
| S <sub>22</sub> , shorted |                | ≤ 0.40 dB <sub>p-p</sub>  |               |
| S <sub>11</sub> , thru    |                | ≤ -40 dB                  |               |
| S <sub>22</sub> , thru    |                | ≤ -40 dB                  |               |
| S <sub>21</sub> , thru    |                | ≤ 0.030 dB <sub>p-p</sub> |               |
| S <sub>12</sub> , thru    |                | ≤ 0.030 dB <sub>p-p</sub> |               |

## 872x System Operation Check

1. Short the standard section and perform an  $S_{11}$  and an  $S_{22}$  measurement to verify that the ripple on the reflection of the shorted waveguide section does not exceed the limits listed in the tables on [page 5-15](#). If the ripple is less than the acceptable value, then the combination of directivity and source match errors of the calibrated system is within the factory specified values.
2. Check the  $S_{11}$  and  $S_{22}$  of a thru measurement. As in the previous step, the results of this check contain the directivity error, but, because of the thru connection to port 2, this measurement also checks the limit of the combination of a number of error terms, including load match and transmission tracking.
3. Make an  $S_{21}$  and an  $S_{12}$  measurement. Ideally, the standard section is low loss. These measurements verify that the combination of source match error and load match error do not cause excess ripple on the trace. The trace ripple should not exceed the acceptable values listed in [page 5-15](#).
4. Record the results of each test in [Tables 5-4](#) through [5-6](#).

### The $S_{11}$ and $S_{22}$ of a Shorted Standard Section

1. Using a IF bandwidth of 10 Hz, perform a full 2-port calibration. (Refer to your network analyzer documentation for specific instructions.)
2. Leave the calibration turned on.
3. Connect the standard section to port 1.
4. Connect the short to terminate the standard section.
5. Connect the load to port 2.
6. To set the display:
  - a. Press **[MEAS]** and select **Ref1: FWD S11**.
  - b. Press **[SCALE REF] [1] [x1]**.
  - c. Select **REFERENCE POSITION** and press **[10] [x1]**.
  - d. Select **REFERENCE VALUE** and press **[0] [x1]**.
  - e. Press **[MEAS]** and select **MEASURE RESTART**.
7. After one complete measurement sweep, the displayed trace should look similar to the typical corrected trace shown in [Figure 5-3](#).
8. Use the markers to determine the greatest peak-to-peak deviation of the ripple on the displayed trace (this is any positive peak to any adjacent negative peak):
  - a. Press **[MKR]** and select **delta MODE MENU**.
  - b. Set the reference to marker 2.
  - c. Switch between markers 1 and 2 (in the delta mode) and position them to the highest and lowest peaks. (You may have to practice using the marker features to get the desired results.)

- Record the maximum peak-to-peak value in the appropriate table on [page 5-15](#).
- Turn off the delta marker mode.
- Repeat this procedure from step 6, and make an  $S_{22}$  measurement on the standard section. Record the measured value in the appropriate table on [page 5-15](#).

### The $S_{11}$ and $S_{22}$ of a Thru Measurement

- Verify that the calibration is still on.
- Connect the standard section to ports 1 and 2 to form a thru connection.
- To set the display:
  - Press [MEAS] and select Refl: FWD  $S_{11}$ .
  - Press [SCALE REF] [10] [x1].
  - Select REFERENCE POSITION and press [10] [x1].
  - Select REFERENCE VALUE and press [0] [x1].
  - Press [MEAS] and select MEASURE RESTART.
- After one complete measurement sweep, the displayed trace should look similar to the typical corrected trace shown in [Figure 5-4](#).
- Determine the maximum value on the trace (you can use a marker).
- Record the maximum value in the appropriate table on [page 5-15](#).
- Repeat this procedure from step 3, and make an  $S_{22}$  measurement. Record the measured value in the appropriate table on [page 5-15](#).

### The $S_{21}$ and $S_{12}$ of a Thru Measurement

- Verify that the calibration is still on.
- Connect the standard section to ports 1 and 2 to form a thru connection.
- To set the display:
  - Press [MEAS] and select Trans: FWD  $S_{21}$ .
  - Press [SCALE] [.02] [x1].
  - Select REFERENCE POSITION [5] [x1].
  - Select [REFERENCE VALUE  $\pm 2$ ] [5] [x1].
  - Press [MEAS] and select MEASURE RESTART.
- After one complete measurement sweep, the displayed trace should look similar to the typical corrected trace shown in [Figure 5-5](#).
- If necessary, select **Press to Continue** to update the trace.
- Determine the greatest peak-to-peak deviation (this is any positive peak to any adjacent negative peak). You can use the markers, as described in the first test, to determine the peak-to-peak value.

7. Record the maximum peak-to-peak value in the appropriate table on [page 5-15](#).
8. Repeat this procedure from step 3, and make an  $S_{12}$  measurement. Record the measured value in the appropriate table on [page 5-15](#).
9. If you use the delta marker mode, don't forget to turn it off.

### **In Case of Failure**

If a system check fails, recalibrate the system and repeat the entire procedure (all three measurements). Remember that poor connections are the most common cause of measurement errors. Also, both the hardware state and the instrument state must be correct. Reload disks or re-enter commands, if necessary, including the calibration kit definitions. If the test continues to fail:

- Save the instrument state.
- Write down *all* of the symptoms.
- Refer to [Chapter 6](#) for troubleshooting and contact information.



**Table 5-4 Using a Full 2-Port Calibration X11644A WR-90 (X-band)**

| Test                      | Measured Value | Acceptable Value         | Pass (Yes/No) |
|---------------------------|----------------|--------------------------|---------------|
| S <sub>11</sub> , shorted |                | ≤ 0.15 dB <sub>p-p</sub> |               |
| S <sub>22</sub> , shorted |                | ≤ 0.15 dB <sub>p-p</sub> |               |
| S <sub>11</sub> , thru    |                | ≤ -40 dB                 |               |
| S <sub>22</sub> , thru    |                | ≤ -40 dB                 |               |
| S <sub>21</sub> , thru    |                | ≤ 0.06 dB <sub>p-p</sub> |               |
| S <sub>12</sub> , thru    |                | ≤ 0.06 dB <sub>p-p</sub> |               |

**Table 5-5 Using a Full 2-Port Calibration P11644A WR-62 (P-band)**

| Test                      | Measured Value | Acceptable Value         | Pass (Yes/No) |
|---------------------------|----------------|--------------------------|---------------|
| S <sub>11</sub> , shorted |                | ≤ 0.26 dB <sub>p-p</sub> |               |
| S <sub>22</sub> , shorted |                | ≤ 0.26 dB <sub>p-p</sub> |               |
| S <sub>11</sub> , thru    |                | ≤ -37 dB                 |               |
| S <sub>22</sub> , thru    |                | ≤ -37 dB                 |               |
| S <sub>21</sub> , thru    |                | ≤ 0.07 dB <sub>p-p</sub> |               |
| S <sub>12</sub> , thru    |                | ≤ 0.07 dB <sub>p-p</sub> |               |

**Table 5-6 Using a Full 2-Port Calibration K11644A WR-42 (K-band)**

| Test                      | Measured Value | Acceptable Value         | Pass (Yes/No) |
|---------------------------|----------------|--------------------------|---------------|
| S <sub>11</sub> , shorted |                | ≤ 0.40 dB <sub>p-p</sub> |               |
| S <sub>22</sub> , shorted |                | ≤ 0.40 dB <sub>p-p</sub> |               |
| S <sub>11</sub> , thru    |                | ≤ -35 dB                 |               |
| S <sub>22</sub> , thru    |                | ≤ -35 dB                 |               |
| S <sub>21</sub> , thru    |                | ≤ 0.01 dB <sub>p-p</sub> |               |
| S <sub>12</sub> , thru    |                | ≤ 0.01 dB <sub>p-p</sub> |               |



---

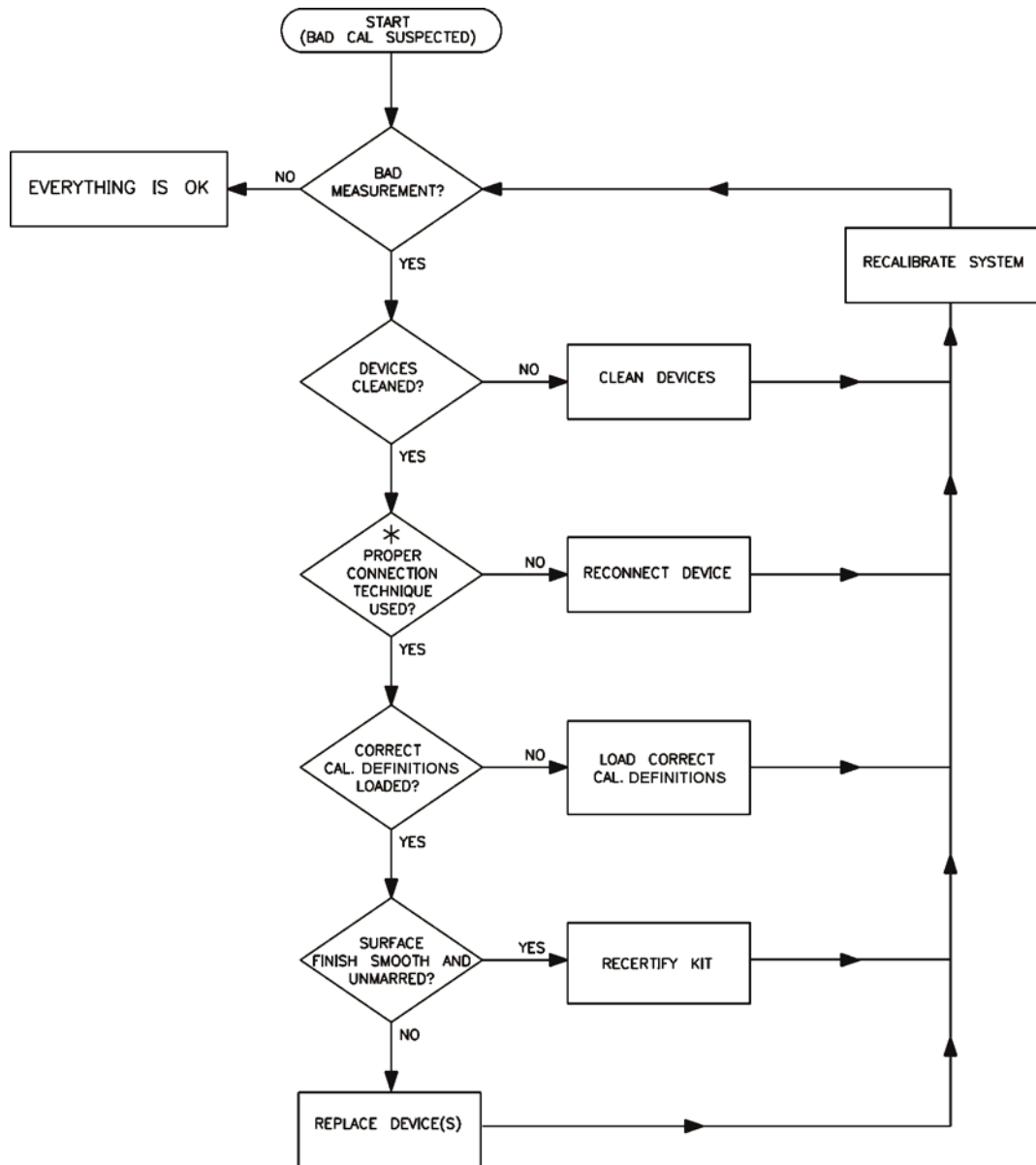
## **6 Troubleshooting**

## Troubleshooting Process

This manual contains limited information about network analyzer system operation. For complete information, refer to the instrument documentation.

If you suspect a bad calibration, or if your network analyzer does not pass performance verification, follow the steps in [Figure 6-1](#).

**Figure 6-1 Troubleshooting Flowchart**



\* NO GAPS; WAVEGUIDE WALLS FLUSH;  
EVEN AND SYMMETRICAL TIGHTENING.

wx416a

## Returning a Kit or Device to Agilent

If your kit or device requires service, contact Agilent Technologies for information on where to send it. Refer to “[Contacting Agilent](#)” on page 6-4. Include a service tag (located near the end of this manual) on which you provide the following information:

- your company name and address
- a technical contact person within your company, and the person's complete telephone number
- the model number and serial number of the kit
- the part number and serial number of each device
- the type of service required
- a *detailed* description of the problem and how the device was being used when the problem occurred (such as calibration or measurement)

### Where to Look for More Information

This manual contains limited information about network analyzer system operation. For complete information, refer to the instrument documentation. If you need additional information, contact Agilent Technologies.

## Contacting Agilent

Assistance with test and measurement needs and information on finding a local Agilent office are available on the Web at:

<http://www.agilent.com/find/assist>

If you do not have access to the Internet, please contact your Agilent field engineer.

---

**NOTE**      In any correspondence or telephone conversation, refer to the Agilent product by its model number and full serial number. With this information, the Agilent representative can determine whether your product is still within its warranty period.

---

---

## **7 Replaceable Parts**





## Introduction

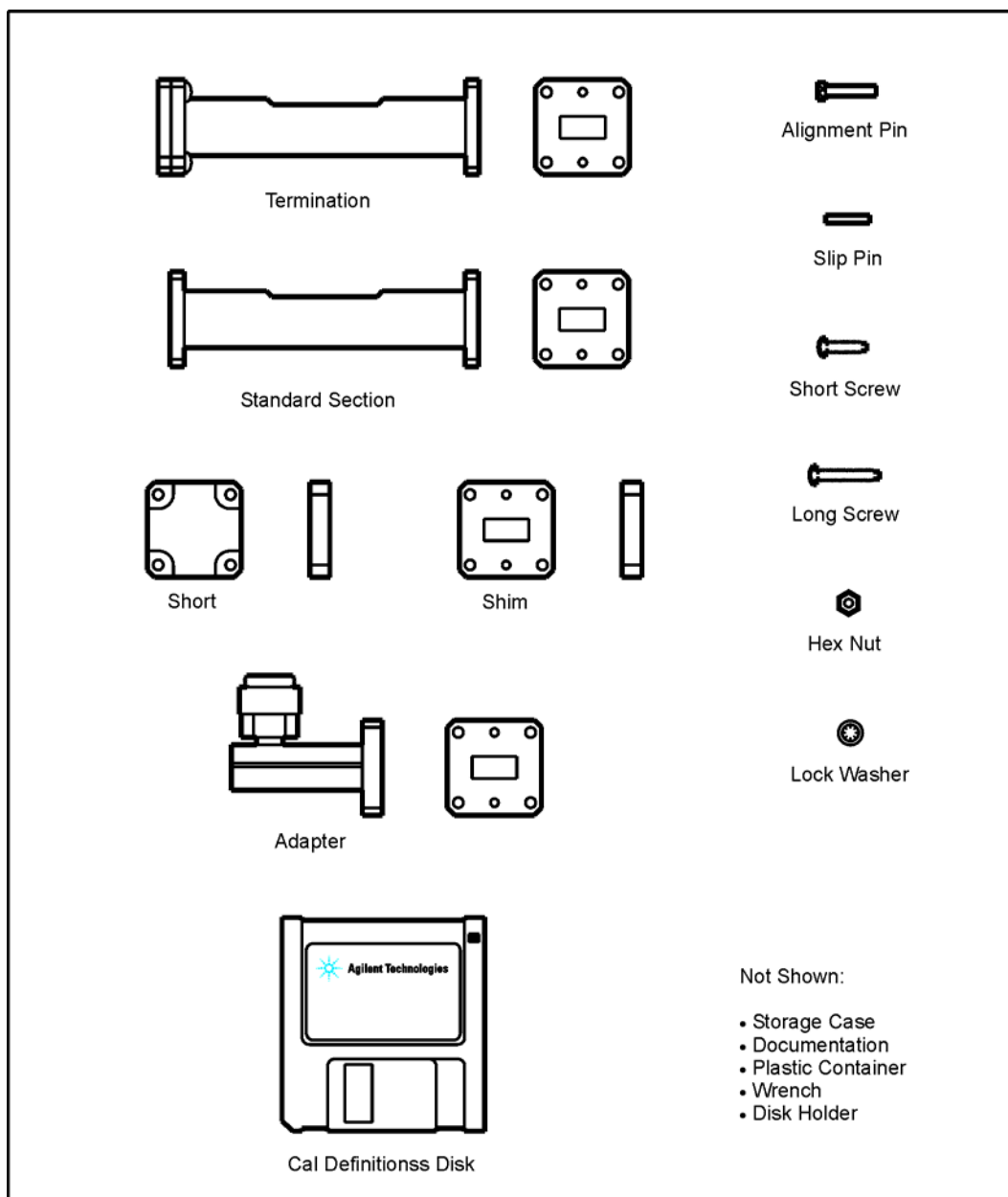
The following tables list the replacement part numbers for the Agilent P11644A, K11644A, and X11644A waveguide calibration kits. [Table 7-4](#) lists the replacement part numbers for items *not* included in the calibration kit that are either required or recommended for successful operation of this kit.

To order a listed part, note the description, part number, and the quantity desired. Telephone or send your order to Agilent Technologies. Refer to [“Contacting Agilent” on page 6-4](#) for further information.

**Table 7-1 Replaceable Parts for the X11644A WR-90**

| Description   | Qty<br>Per Kit | Agilent<br>Part Number |
|---|----------------|------------------------|
| <b>Calibration Devices</b>                                |                |                        |
| Termination   | 2              | 00910-60003            |
| Standard section  | 1              | 00896-60008            |
| Short   | 1              | 11644-20018            |
| ¼ Wavelength shim   | 1              | 11644-20021            |
| 7 mm coax-to-waveguide adapter                            | 2              | X281C Option 006       |
| <b>Hardware</b>   |                |                        |
| Alignment pin   | 6              | 11644-20024            |
| Slip pin  | 6              | 11644-20025            |
| 8-32 pozi drive screw (0.625 in length)                   | 6              | 2510-0109              |
| 8-32 pozi drive screw (1.0 in length)                     | 6              | 2510-0115              |
| Lock washer   | 12             | 2190-0009              |
| 8-32 hex nut  | 12             | 2580-0002              |
| ¼ Wrench  | 1              | 8720-0014              |
| <b>Miscellaneous Items</b>                                |                |                        |
| User's and service guide                                  | 1              | 11644-90371            |
| Calibration definitions disk for the 8510 series (X-band) | 1              | 11644-10011            |
| <b>Calibration Kit Storage Case</b>                       |                |                        |
| Storage case  | 1              | 5181-5720              |
| Box   | 2              | 1540-0216              |
| Foam pad (set)  | 1              | 11644-80034            |
| Disk holder   | 1              | 5180-8491              |

**Figure 7-1 X-Band Component Identification Sheet**

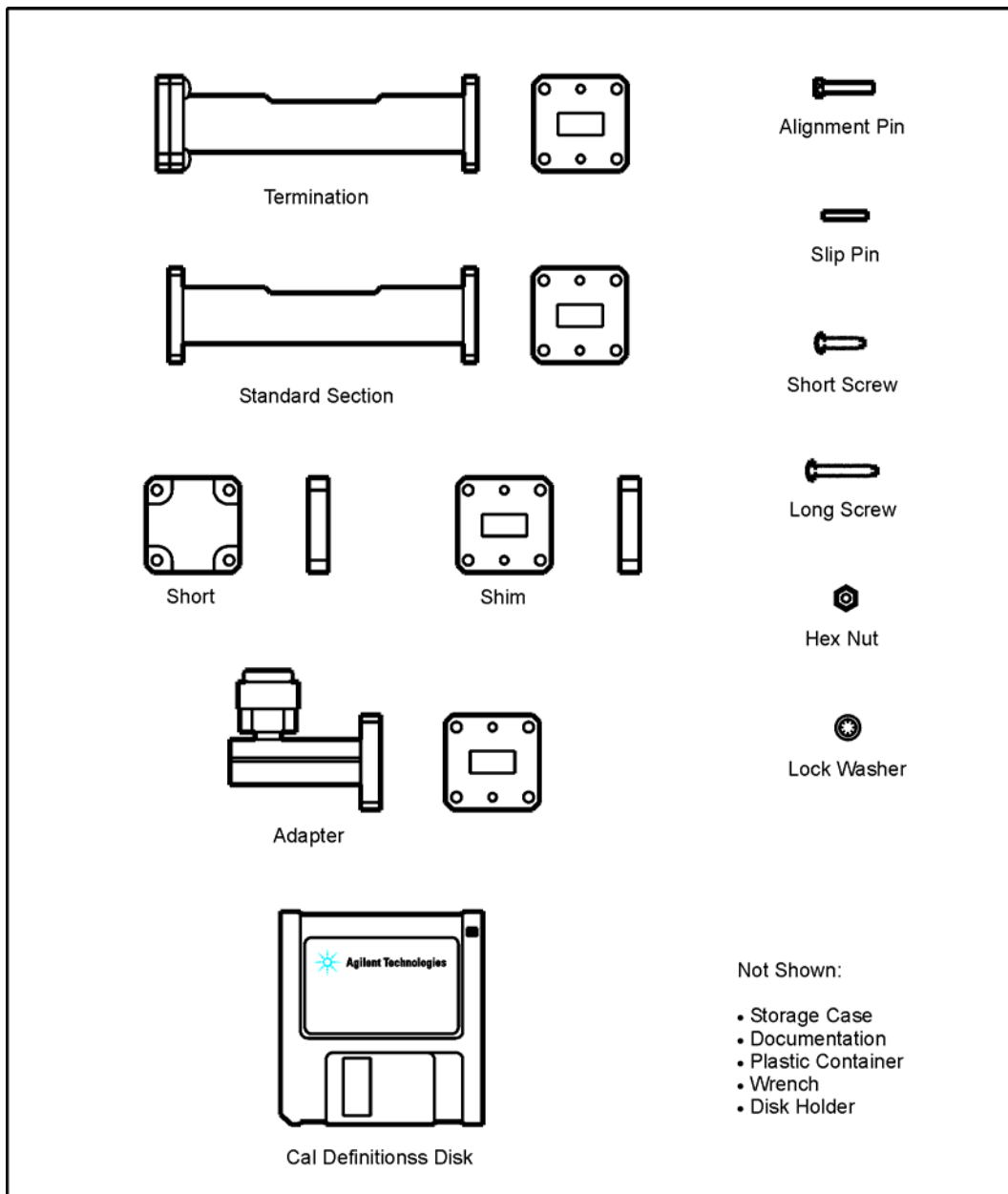


wx423a

**Table 7-2 Replaceable Parts for the P11644A WR-62**

| Description   | Qty<br>Per Kit | Agilent<br>Part Number |
|---|----------------|------------------------|
| <b>Calibration Devices</b>                                |                |                        |
| Termination   | 2              | 00910-60002            |
| Standard section  | 1              | 00896-60007            |
| Short   | 1              | 11644-20017            |
| ¼ Wavelength shim   | 1              | 11644-20020            |
| 7 mm coax-to-waveguide adapter                            | 2              | P281C Option 006       |
| <b>Hardware</b>   |                |                        |
| Alignment pin   | 6              | 11644-20023            |
| Slip pin  | 6              | 11644-20025            |
| 6-32 pozi drive screw (0.875 in length)                   | 6              | 2360-0207              |
| 6-32 pozi drive screw (.562 in length)                    | 6              | 2360-0229              |
| lock washer (0.141 inch)                                  | 12             | 2190-0007              |
| 6-32 hex nut  | 12             | 2420-0003              |
| ¼ Wrench  | 1              | 8720-0014              |
| <b>Miscellaneous Items</b>                                |                |                        |
| User's and service guide                                  | 1              | 11644-90371            |
| Calibration definitions disk for the 8510 series (P-band) | 1              | 11644-10009            |
| <b>Calibration Kit Storage Case</b>                       |                |                        |
| Storage case  | 1              | 5181-5720              |
| Box   | 2              | 1540-0216              |
| Foam pad (set)  | 1              | 11644-80033            |
| Disk holder   | 1              | 5180-8491              |

Figure 7-2 P-Band Component Identification Sheet

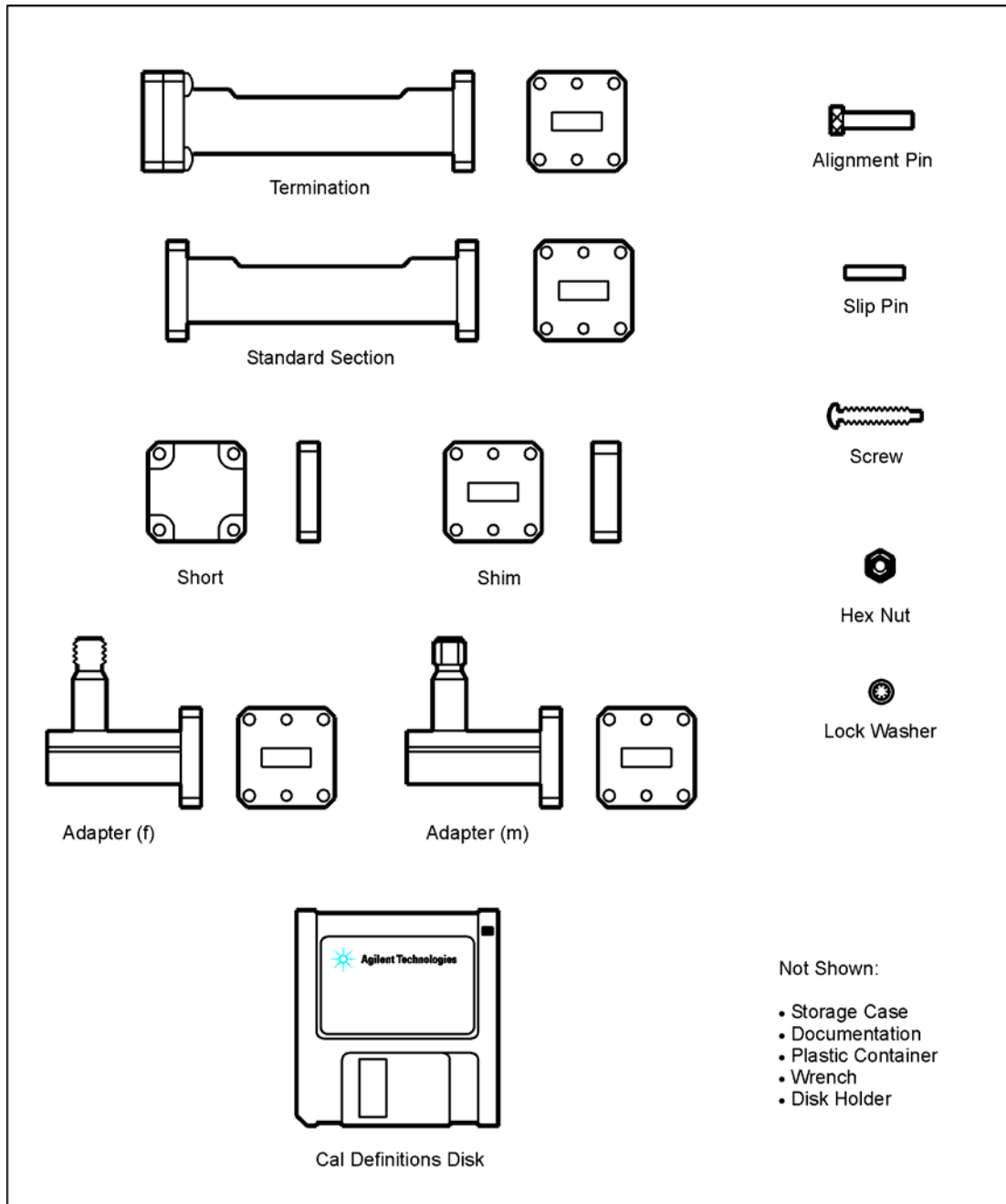


wx423a

**Table 7-3 Replaceable Parts for the K11644A WR-42**

| Description   | Qty Per Kit | Agilent Part Number |
|---|-------------|---------------------|
| <b>Calibration Devices</b>                                |             |                     |
| Termination   | 2           | 00910-60001         |
| Standard section  | 1           | 00896-60006         |
| Short   | 1           | 11644-20016         |
| ¼ Wavelength shim   | 1           | 11644-20019         |
| 3.5 mm coax-to-waveguide adapter (m)                      | 1           | 00281-60001         |
| 3.5 mm coax-to-waveguide adapter (f)                      | 1           | K281C Option 006    |
| <b>Hardware</b>   |             |                     |
| Alignment pin   | 6           | 11644-20022         |
| Slip pin  | 6           | 11644-20027         |
| 4-40 pozi drive screw (0.750 in length)                   | 12          | 2200-0151           |
| lock washer   | 12          | 2190-0643           |
| 4-40 hex nut  | 12          | 2260-0002           |
| 3/16 Wrench   | 1           | 8720-0013           |
| <b>Miscellaneous Items</b>                                |             |                     |
| User's and service guide                                  | 1           | 11644-90371         |
| Calibration definitions disk for the 8510 series (P-band) | 1           | 11644-10007         |
| <b>Calibration Kit Storage Case</b>                       |             |                     |
| Storage case  | 1           | 5181-5720           |
| Box   | 2           | 1540-0216           |
| Foam pad (set)  | 1           | 11644-80032         |
| Disk holder   | 2           | 5180-8491           |

**Figure 7-3 K-Band Component Identification Sheet**



wx424a

**Table 7-4 Items Not Included in the Calibration Kit**

| <b>Description</b>  | <b>Qty</b> | <b>Agilent<br/>Part Number</b> |
|---|------------|--------------------------------|
| <b>ESD Protection Devices</b>                               |            |                                |
| Grounding wrist strap                                       | 1          | 9300-1367                      |
| 5 ft grounding cord for wrist strap                         | 1          | 9300-0980                      |
| 2 ft by 4 ft conductive table mat with 15 ft grounding wire | 1          | 9300-0797                      |
| ESD heel strap  | 1          | 9300-1308                      |
| <b>Cleaning Supplies</b>                                    |            |                                |
| Isopropyl alcohol   | 30 ml      | 8500-5344                      |
| Foam-tipped cleaning swabs                                  | 100        | 9301-1243                      |



---

# **A Standard Definitions**

## Version Changes

Class assignments and standard definitions may change as more accurate model and calibration methods are developed. You can download the most recent class assignments and standard definitions from Agilent's Calibration Kit Definitions Web page at <http://na.tm.agilent.com/pna/caldefs/stddefs.html>.

For a detailed discussion of calibration kits, refer to the Agilent Application Note, "Specifying Calibration Standards and Kits for Agilent Vector Network Analyzers." This application note covers calibration standard definitions, calibration kit content and its structure requirements for Agilent vector network analyzers. It also provides some examples of how to set up a new calibration kit and how to modify an existing calibration kit definition file. To download a free copy, go to [www.agilent.com](http://www.agilent.com) and enter literature number 5989-4840EN in the Search window.

## Standard Class Assignments

Class assignment organizes calibration standards into a format compatible with the error models used in the measurement calibration. A class or group of classes corresponds to the systematic errors to be removed from the measured network analyzer response. [Tables A-1](#) and [A-2](#) list the classes of the devices in the kit for the 8510 and PNA series respectively. The 8510 information resides on the calibration definitions disk included in the kit. The PNA has the information stored in memory.

**Table A-1 Standard Class Assignments for the 8510 Network Analyzer**

| Disk File Name: CK_WR-90,<br>or CK_WR-62, or CK_WR-42                            |    |    |   | Calibration Kit Label: WR-90 A.1, or<br>WR-62 A.1, or WR-42 A.1 |   |   |   |                      |
|--|----|----|---|---|---|---|---|----------------------|
| Class  | A  | B  | C | D   | E | F | G | Standard Class Label |
| S <sub>11</sub> A  | 1  |    |   |   |   |   |   | Short                |
| S <sub>11</sub> B  | 3  |    |   |   |   |   |   | Offset               |
| S <sub>11</sub> C  | 9  | 20 |   |   |   |   |   | Loads                |
| S <sub>22</sub> A  | 1  |    |   |   |   |   |   | Short                |
| S <sub>22</sub> B  | 3  |    |   |   |   |   |   | Offset               |
| S <sub>22</sub> C  | 9  | 20 |   |   |   |   |   | Loads                |
| Forward transmission   | 11 |    |   |   |   |   |   | Thru                 |
| Reverse transmission   | 11 |    |   |   |   |   |   | Thru                 |
| Forward match  | 11 |    |   |   |   |   |   | Thru                 |
| Reverse match  | 11 |    |   |   |   |   |   | Thru                 |
| Forward isolation <sup>a</sup>   | 9  |    |   |   |   |   |   | Isol'n Std           |
| Reverse isolation  | 9  |    |   |   |   |   |   | Isol'n Std           |
| Frequency response   | 1  | 11 |   |   |   |   |   | Response             |
| TRL thru   | 14 |    |   |   |   |   |   | TRL thru             |
| TRL reflect  | 1  |    |   |   |   |   |   | TRL reflect          |
| TRL line   | 15 |    |   |   |   |   |   | TRL line             |
| Adapter  | 13 |    |   |   |   |   |   | Adapter              |
| <b>TRL Option</b>  |    |    |   |   |   |   |   |                      |
| Cal Z <sub>0</sub> :    ___ System Z <sub>0</sub> <u> X </u> Line Z <sub>0</sub> |    |    |   |   |   |   |   |                      |
| Set ref: <u> X </u> Thru                    ___ Reflect                          |    |    |   |   |   |   |   |                      |
| Lowband frequency:    _____  |    |    |   |   |   |   |   |                      |

a. Forward isolation standard is also used for isolation part of response and isolation calibration.

**Table A-2 Standard Class Assignments for the PNA Series Network Analyzer**

| SOLT Class Assignments<br>Calibration Kit Name:<br>X11644A, P11644A,<br>K11644A |      | TRL Class Assignments <sup>a</sup><br>Calibration Kit Name:<br>X11644A, P11644A,<br>K11644A |      |
|---|------|---|------|
| Class   |      | Class   |      |
| S <sub>11</sub> A   | 4    | TRL thru  | 6    |
| S <sub>11</sub> B   | 5    | TRL reflect   | 4    |
| S <sub>11</sub> C   | 1, 2 | TRL line/match  | 7, 2 |
| Forward transmission <sup>b</sup>   | 6, 7 | Isolation   | 2    |
| S <sub>22</sub> A   | 4    | –   | –    |
| S <sub>22</sub> B   | 5    | –   | –    |
| S <sub>22</sub> C   | 1, 2 | Cal Ref Z0 = Line Z0  |      |
| Isolation   | 2    | Transport Ref Plane = Thru Standard   |      |

- a. Select the LRL line auto characterization checkbox to compute the propagation characteristics of the thru standard from the computed propagation characteristics of the line standard and the defined delays for both the thru and line standards. Note, LRL line auto characterization will only be used at frequencies where both the THRU and LINE standards are delay lines and where the offset impedance of the THRU and LINE standards are equal.
- b. Forward match, reverse match, and reverse transmission usually use the same class assignments as forward transmission. You can select these same class assignments in the PNA calibration menu titled “Modify SOLT Calibration Class Assignments.” Select the checkbox titled “Link FWD TRANS, FWD MATCH, REV TRANS and REV MATCH.”

## Blank Forms

The standard class assignments may be changed to meet your specific requirements. Tables A-3 and A-4 are provided to record the modified standard class assignments.

**Table A-3 Blank Form for the 8510 Network Analyzer**

| Disk File Name: _____   |   |   |   | Calibration Kit Label: _____ |   |   |   |                      |
|---|---|---|---|------------------------------|---|---|---|----------------------|
| Class   | A | B | C | D                            | E | F | G | Standard Class Label |
| S <sub>11</sub> A   |   |   |   |                              |   |   |   |                      |
| S <sub>11</sub> B   |   |   |   |                              |   |   |   |                      |
| S <sub>11</sub> C   |   |   |   |                              |   |   |   |                      |
| S <sub>22</sub> A   |   |   |   |                              |   |   |   |                      |
| S <sub>22</sub> B   |   |   |   |                              |   |   |   |                      |
| S <sub>22</sub> C   |   |   |   |                              |   |   |   |                      |
| Forward transmission  |   |   |   |                              |   |   |   |                      |
| Reverse transmission  |   |   |   |                              |   |   |   |                      |
| Forward match   |   |   |   |                              |   |   |   |                      |
| Reverse match   |   |   |   |                              |   |   |   |                      |
| Forward isolation <sup>a</sup>  |   |   |   |                              |   |   |   |                      |
| Reverse isolation   |   |   |   |                              |   |   |   |                      |
| Frequency response  |   |   |   |                              |   |   |   |                      |
| TRL thru  |   |   |   |                              |   |   |   |                      |
| TRL reflect   |   |   |   |                              |   |   |   |                      |
| TRL line  |   |   |   |                              |   |   |   |                      |
| Adapter   |   |   |   |                              |   |   |   |                      |
| <b>TRL Option</b>   |   |   |   |                              |   |   |   |                      |
| Cal Z <sub>0</sub> :    ___ System Z <sub>0</sub> ___ Line Z <sub>0</sub> |   |   |   |                              |   |   |   |                      |
| Set ref:    ___ Thru                    ___ Reflect                       |   |   |   |                              |   |   |   |                      |
| Lowband frequency:    _____   |   |   |   |                              |   |   |   |                      |

a. Forward isolation standard is also used for isolation part of response and isolation calibration.

**Table A-4 Blank Form for the PNA Series Network Analyzer**

| <b>SOLT Class Assignments</b>     |  | <b>TRL Class Assignments<sup>a</sup></b> |   |
|-----------------------------------|--|--|---|
| Calibration Kit Name:<br>_____    |  | Calibration Kit Name:<br>_____           |   |
| Class                             |  | Class                                    |   |
| S <sub>11</sub> A                 |  | TRL thru                                 |   |
| S <sub>11</sub> B                 |  | TRL reflect                              |   |
| S <sub>11</sub> C                 |  | TRL line/match                           |   |
| Forward transmission <sup>b</sup> |  | Isolation                                |   |
| S <sub>22</sub> A                 |  | -  | - |
| S <sub>22</sub> B                 |  | -  | - |
| S <sub>22</sub> C                 |  | Cal Ref Z0 = Line Z0                     |   |
| Isolation                         |  | Transport Ref Plane = Thru Standard      |   |

- a. Select the LRL line auto characterization checkbox to compute the propagation characteristics of the thru standard from the computed propagation characteristics of the line standard and the defined delays for both the thru and line standards. Note, LRL line auto characterization will only be used at frequencies where both the THRU and LINE standards are delay lines and where the offset impedance of the THRU and LINE standards are equal.
- b. Forward match, reverse match, and reverse transmission usually use the same class assignments as forward transmission. You can select these same class assignments in the PNA calibration menu titled "Modify SOLT Calibration Class Assignments." Select the checkbox titled "Link FWD TRANS, FWD MATCH, REV TRANS and REV MATCH."

## Nominal Standard Definitions

Standard definitions provide the definitions needed to mathematically model the electrical characteristics (delay, attenuation, and impedance) of each calibration standard. The nominal values of these definitions are theoretically derived from the physical dimensions and material of each calibration standard, or from actual measured response. These values are used to determine the measurement uncertainties of the network analyzer. The standard definitions in [Tables A-5](#) through [A-10](#) list typical calibration kit parameters used by the 8510 and PNA series to specify the mathematical model of each device. The 8510 information resides on the calibration definitions disk included in the kit. The PNA has the information stored in memory.

---

**NOTE**      The values in the standard definitions table are valid *only* over the specified operating temperature range.

---

## Setting the System Impedance

This kit contains only waveguide devices. Ensure the system impedance ( $Z_0$ ) is set to 1 ohm. Refer to your network analyzer user's guide for instructions on setting system impedance.



**Table A-5 Standard Definitions for the 8510 with X-band (WR-90)**

| System $Z_0^a = 1 \Omega$ |                               | Calibration Kit Label: WR-90 A.1 |                                   |                                     |                                     |  |             |              |              |                               |        |                   |                    |
|---------------------------|-------------------------------|----------------------------------|-----------------------------------|-------------------------------------|-------------------------------------|--|-------------|--------------|--------------|-------------------------------|--------|-------------------|--------------------|
| Disk File Name: CK_WR-90  |                               |                                  |                                   |                                     |                                     |  |             |              |              |                               |        |                   |                    |
| Number                    | Standard <sup>b</sup><br>Type | $C0 \times 10^{-15} \text{ F}$   | $C1 \times 10^{-27} \text{ F/Hz}$ | $C2 \times 10^{-36} \text{ F/Hz}^2$ | $C3 \times 10^{-45} \text{ F/Hz}^3$ | Fixed, Sliding, or Offset <sup>c</sup> | Offset      |              |              | Frequency in GHz <sup>d</sup> |        | Coax or Waveguide | Standard Label     |
|                           |                               | $L0 \times 10^{-12} \text{ H}$   | $L1 \times 10^{-24} \text{ H/Hz}$ | $L2 \times 10^{-33} \text{ H/Hz}^2$ | $L3 \times 10^{-42} \text{ H/Hz}^3$ |  | Delay in ps | $Z_0 \Omega$ | Loss in GΩ/s | Min                           | Max    |                   |                    |
| 1                         | Short <sup>e</sup>            |                                  |                                   |                                     |                                     |  | 0           | 1            | 0            | 6.555                         | 13.111 | WG                | Short              |
| 2                         |                               |                                  |                                   |                                     |                                     |  |             |              |              |                               |        |                   |                    |
| 3                         | Short/<br>offset              |                                  |                                   |                                     |                                     |  | 32.633      | 1            | 0            | 6.555                         | 13.111 | WG                | $\lambda/4$ Offset |
| 4                         |                               |                                  |                                   |                                     |                                     |  |             |              |              |                               |        |                   |                    |
| 5                         |                               |                                  |                                   |                                     |                                     |  |             |              |              |                               |        |                   |                    |
| 6                         |                               |                                  |                                   |                                     |                                     |  |             |              |              |                               |        |                   |                    |
| 7                         |                               |                                  |                                   |                                     |                                     |  |             |              |              |                               |        |                   |                    |
| 8                         |                               |                                  |                                   |                                     |                                     |  |             |              |              |                               |        |                   |                    |
| 9                         | Load                          |                                  |                                   |                                     |                                     | Fixed                                  | 0           | 1            | 0            | 6.555                         | 13.111 | WG                | Fixed              |
| 10                        |                               |                                  |                                   |                                     |                                     |  |             |              |              |                               |        |                   |                    |
| 11                        | Delay/<br>thru                |                                  |                                   |                                     |                                     |  | 0           | 1            | 0            | 6.555                         | 13.111 | WG                | Thru               |
| 12                        |                               |                                  |                                   |                                     |                                     |  |             |              |              |                               |        |                   |                    |
| 13                        |                               |                                  |                                   |                                     |                                     |  |             |              |              |                               |        |                   |                    |
| 14                        | Delay/<br>thru                |                                  |                                   |                                     |                                     |  | 0           | 1            | 0            | 6.555                         | 13.111 | WG                | Thru               |
| 15                        | Delay/<br>thru                |                                  |                                   |                                     |                                     |  | 32.633      | 1            | 0            | 6.555                         | 13.111 | WG                | $\lambda/4$ Delay  |
| 16                        |                               |                                  |                                   |                                     |                                     |  |             |              |              |                               |        |                   |                    |
| 17                        |                               |                                  |                                   |                                     |                                     |  |             |              |              |                               |        |                   |                    |
| 18                        |                               |                                  |                                   |                                     |                                     |  |             |              |              |                               |        |                   |                    |
| 19                        |                               |                                  |                                   |                                     |                                     |  |             |              |              |                               |        |                   |                    |
| 20                        | Load/<br>offset               |                                  |                                   |                                     |                                     | Offset                                 | 32.633      | 1            | 0            | 6.555                         | 13.111 | WG                | $\lambda/4$ Offset |
| 21                        |                               |                                  |                                   |                                     |                                     |  |             |              |              |                               |        |                   |                    |

- a. Ensure system  $Z_0$  of network analyzer is set to this value.
- b. Open, short, load, delay/thru, or arbitrary impedance.
- c. Load or arbitrary impedance only.
- d. For waveguide, the lower frequency is the same as  $F_{CO}$ .
- e. Typical values only. Disk values may be different.

**Table A-6 Standard Definitions for the 8510 with P-band (WR-62)**

| Standard <sup>b</sup> |                    | Offset                 |                           |                             |                             |  | Frequency in GHz <sup>d</sup> |              | Coax or Waveguide | Standard Label |              |     |                    |
|-----------------------|--------------------|------------------------|---------------------------|-----------------------------|-----------------------------|--|-------------------------------|--------------|-------------------|----------------|--------------|-----|--------------------|
| Number                | Type               | $C0 \times 10^{-15} F$ | $C1 \times 10^{-27} F/Hz$ | $C2 \times 10^{-36} F/Hz^2$ | $C3 \times 10^{-45} F/Hz^3$ | Fixed, Sliding, or Offset <sup>c</sup> | Delay in ps                   | $Z_0 \Omega$ |                   |                | Loss in GΩ/s | Min | Max                |
| 1                     | Short <sup>e</sup> |                        |                           |                             |                             |  | 0                             | 1            | 0                 | 9.485          | 18.97        | WG  | Short              |
| 2                     |                    |                        |                           |                             |                             |  |                               |              |                   |                |              |     |                    |
| 3                     | Short/offset       |                        |                           |                             |                             |  | 21.689                        | 1            | 0                 | 9.485          | 18.97        | WG  | $\lambda/4$ Offset |
| 4                     |                    |                        |                           |                             |                             |  |                               |              |                   |                |              |     |                    |
| 5                     |                    |                        |                           |                             |                             |  |                               |              |                   |                |              |     |                    |
| 6                     |                    |                        |                           |                             |                             |  |                               |              |                   |                |              |     |                    |
| 7                     |                    |                        |                           |                             |                             |  |                               |              |                   |                |              |     |                    |
| 8                     |                    |                        |                           |                             |                             |  |                               |              |                   |                |              |     |                    |
| 9                     | Load               |                        |                           |                             |                             | Fixed                                  | 0                             | 1            | 0                 | 9.485          | 18.97        | WG  | Fixed              |
| 10                    |                    |                        |                           |                             |                             |  |                               |              |                   |                |              |     |                    |
| 11                    | Delay/thru         |                        |                           |                             |                             |  | 0                             | 1            | 0                 | 9.485          | 18.97        | WG  | Thru               |
| 12                    |                    |                        |                           |                             |                             |  |                               |              |                   |                |              |     |                    |
| 13                    |                    |                        |                           |                             |                             |  |                               |              |                   |                |              |     |                    |
| 14                    | Delay/thru         |                        |                           |                             |                             |  | 0                             | 1            | 0                 | 9.485          | 18.97        | WG  | Thru               |
| 15                    | Delay/thru         |                        |                           |                             |                             |  | 21.689                        | 1            | 0                 | 9.485          | 18.97        | WG  | $\lambda/4$ Delay  |
| 16                    |                    |                        |                           |                             |                             |  |                               |              |                   |                |              |     |                    |
| 17                    |                    |                        |                           |                             |                             |  |                               |              |                   |                |              |     |                    |
| 18                    |                    |                        |                           |                             |                             |  |                               |              |                   |                |              |     |                    |
| 19                    |                    |                        |                           |                             |                             |  |                               |              |                   |                |              |     |                    |
| 20                    | Load/offset        |                        |                           |                             |                             | Offset                                 | 21.689                        | 1            | 0                 | 9.485          | 18.97        | WG  | $\lambda/4$ Offset |
| 21                    |                    |                        |                           |                             |                             |  |                               |              |                   |                |              |     |                    |

- a. Ensure system  $Z_0$  of network analyzer is set to this value.
- b. Open, short, load, delay/thru, or arbitrary impedance.
- c. Load or arbitrary impedance only.
- d. For waveguide, the lower frequency is the same as  $F_{CO}$ .
- e. Typical values only. Disk values may be different.

**Table A-7 Standard Definitions for the 8510 with K-band (WR-42)**

| System $Z_0^a = 1 \Omega$ |                    | Calibration Kit Label: WR-42 A.1 |                                   |                                     |                                     |  |             |              |              |                               |        |                   |                    |
|---------------------------|--------------------|----------------------------------|-----------------------------------|-------------------------------------|-------------------------------------|--|-------------|--------------|--------------|-------------------------------|--------|-------------------|--------------------|
| Disk File Name: CK_WR-42  |                    | Standard <sup>b</sup>            |                                   |                                     |                                     | Fixed, Sliding, or Offset <sup>c</sup> | Offset      |              |              | Frequency in GHz <sup>d</sup> |        | Coax or Waveguide | Standard Label     |
| Number                    | Type               | $C0 \times 10^{-15} \text{ F}$   | $C1 \times 10^{-27} \text{ F/Hz}$ | $C2 \times 10^{-36} \text{ F/Hz}^2$ | $C3 \times 10^{-45} \text{ F/Hz}^3$ |  | Delay in ps | $Z_0 \Omega$ | Loss in GΩ/s | Min                           | Max    |                   |                    |
| 1                         | Short <sup>e</sup> |                                  |                                   |                                     |                                     |  | 0           | 1            | 0            | 14.047                        | 28.094 | WG                | Short              |
| 2                         |                    |                                  |                                   |                                     |                                     |  |             |              |              |                               |        |                   |                    |
| 3                         | Short/offset       |                                  |                                   |                                     |                                     |  | 15.015      | 1            | 0            | 14.047                        | 28.094 | WG                | $\lambda/4$ Offset |
| 4                         |                    |                                  |                                   |                                     |                                     |  |             |              |              |                               |        |                   |                    |
| 5                         |                    |                                  |                                   |                                     |                                     |  |             |              |              |                               |        |                   |                    |
| 6                         |                    |                                  |                                   |                                     |                                     |  |             |              |              |                               |        |                   |                    |
| 7                         |                    |                                  |                                   |                                     |                                     |  |             |              |              |                               |        |                   |                    |
| 8                         |                    |                                  |                                   |                                     |                                     |  |             |              |              |                               |        |                   |                    |
| 9                         | Load               |                                  |                                   |                                     |                                     | Fixed                                  | 0           | 1            | 0            | 14.047                        | 28.094 | WG                | Fixed              |
| 10                        |                    |                                  |                                   |                                     |                                     |  |             |              |              |                               |        |                   |                    |
| 11                        | Delay/thru         |                                  |                                   |                                     |                                     |  | 0           | 1            | 0            | 14.047                        | 28.094 | WG                | Thru               |
| 12                        |                    |                                  |                                   |                                     |                                     |  |             |              |              |                               |        |                   |                    |
| 13                        |                    |                                  |                                   |                                     |                                     |  |             |              |              |                               |        |                   |                    |
| 14                        | Delay/thru         |                                  |                                   |                                     |                                     |  | 0           | 1            | 0            | 14.047                        | 28.094 | WG                | Thru               |
| 15                        | Delay/thru         |                                  |                                   |                                     |                                     |  | 15.015      | 1            | 0            | 14.047                        | 28.094 | WG                | $\lambda/4$ Delay  |
| 16                        |                    |                                  |                                   |                                     |                                     |  |             |              |              |                               |        |                   |                    |
| 17                        |                    |                                  |                                   |                                     |                                     |  |             |              |              |                               |        |                   |                    |
| 18                        |                    |                                  |                                   |                                     |                                     |  |             |              |              |                               |        |                   |                    |
| 19                        |                    |                                  |                                   |                                     |                                     |  |             |              |              |                               |        |                   |                    |
| 20                        | Load/offset        |                                  |                                   |                                     |                                     | Offset                                 | 15.015      | 1            | 0            | 14.047                        | 28.094 | WG                | $\lambda/4$ Offset |
| 21                        |                    |                                  |                                   |                                     |                                     |  |             |              |              |                               |        |                   |                    |

- a. Ensure system  $Z_0$  of network analyzer is set to this value.
- b. Open, short, load, delay/thru, or arbitrary impedance.
- c. Load or arbitrary impedance only.
- d. For waveguide, the lower frequency is the same as  $F_{CO}$ .
- e. Typical values only. Disk values may be different.

**Table A-8 Standard Definitions for the PNA Series with X-band (WR-90)**

| System $Z_0^a = 1 \Omega$ |                  | Calibration Kit Label: X-band  |                                   |                                     |                                     |   |             |              |              |                               |        |                   |                          |
|---------------------------|------------------|--------------------------------|-----------------------------------|-------------------------------------|-------------------------------------|---|-------------|--------------|--------------|-------------------------------|--------|-------------------|--------------------------|
| Standard <sup>b</sup>     |                  | $C0 \times 10^{-15} \text{ F}$ | $C1 \times 10^{-27} \text{ F/Hz}$ | $C2 \times 10^{-36} \text{ F/Hz}^2$ | $C3 \times 10^{-45} \text{ F/Hz}^3$ | Fixed, sliding, or offset load or arbitrary impedance | Offset      |              |              | Frequency in GHz <sup>c</sup> |        | Coax or Waveguide | Standard Label           |
| Number                    | Type             | $L0 \times 10^{-12} \text{ H}$ | $L1 \times 10^{-24} \text{ H/Hz}$ | $L2 \times 10^{-33} \text{ H/Hz}^2$ | $L3 \times 10^{-42} \text{ H/Hz}^3$ |   | Delay in ps | $Z_0 \Omega$ | Loss in GΩ/s | Min                           | Max    |                   |                          |
| 1                         | Offset load      |                                |                                   |                                     |                                     | Offset  |             |              |              | 6.555                         | 13.111 | WG                | Offset load              |
| 2                         | Load             |                                |                                   |                                     |                                     | Fixed   | 0           | 1            | 0            | 6.555                         | 13.111 | WG                | Fixed Load               |
| 3                         |                  |                                |                                   |                                     |                                     |   |             |              |              |                               |        |                   |                          |
| 4                         | Short            | 0                              | 0                                 | 0                                   | 0                                   |   | 0           | 1            | 0            | 6.555                         | 13.111 | WG                | Short                    |
| 5                         | Offset short     | 0                              | 0                                 | 0                                   | 0                                   |   | 32.633      | 1            | 0.798        | 6.555                         | 13.111 | WG                | $\lambda/4$ Offset short |
| 6                         | Thru             |                                |                                   |                                     |                                     |   | 0           | 1            | 0            | 6.555                         | 13.111 | WG                | Thru                     |
| 7                         | $\lambda/4$ line |                                |                                   |                                     |                                     |   | 32.633      | 1            | 0.798        | 6.555                         | 13.111 | WG                | $\lambda/4$ line         |

- Ensure system  $Z_0$  of network analyzer is set to this value.
- Open, short, load, delay/thru, or arbitrary impedance.
- For waveguide, the lower frequency is the same as  $F_{CO}$ .

**Table A-9 Standard Definitions for the PNA Series with P-Band (WR-62)**

| System $Z_0^a = 1 \Omega$ |                  |                                |                                   |                                     |                                     | Calibration Kit Label: P-band                         |             |              |                     |                               |        |                   |                          |
|---------------------------|------------------|--------------------------------|-----------------------------------|-------------------------------------|-------------------------------------|---|-------------|--------------|---------------------|-------------------------------|--------|-------------------|--------------------------|
| Standard <sup>b</sup>     |                  | $C0 \times 10^{-15} \text{ F}$ | $C1 \times 10^{-27} \text{ F/Hz}$ | $C2 \times 10^{-36} \text{ F/Hz}^2$ | $C3 \times 10^{-45} \text{ F/Hz}^3$ | Fixed, sliding, or offset load or arbitrary impedance | Offset      |              |                     | Frequency in GHz <sup>c</sup> |        | Coax or Waveguide | Standard Label           |
| Number                    | Type             | $L0 \times 10^{-12} \text{ H}$ | $L1 \times 10^{-24} \text{ H/Hz}$ | $L2 \times 10^{-33} \text{ H/Hz}^2$ | $L3 \times 10^{-42} \text{ H/Hz}^3$ |   | Delay in ps | $Z_0 \Omega$ | Loss in $G\Omega/s$ | Min                           | Max    |                   |                          |
| 1                         | Offset load      |                                |                                   |                                     |                                     | Offset  |             |              |                     | 9.485                         | 18.970 | WG                | Offset load              |
| 2                         | Load             |                                |                                   |                                     |                                     | Fixed   | 0           | 1            | 0                   | 9.485                         | 18.970 | WG                | Fixed Load               |
| 3                         |                  |                                |                                   |                                     |                                     |   |             |              |                     |                               |        |                   |                          |
| 4                         | Short            | 0                              | 0                                 | 0                                   | 0                                   |   | 0           | 1            | 0                   | 9.485                         | 18.970 | WG                | Short                    |
| 5                         | Offset short     | 0                              | 0                                 | 0                                   | 0                                   |   | 21.689      | 1            | 1.235               | 9.485                         | 18.970 | WG                | $\lambda/4$ Offset short |
| 6                         | Thru             |                                |                                   |                                     |                                     |   | 0           | 1            | 0                   | 9.485                         | 18.970 | WG                | Thru                     |
| 7                         | $\lambda/4$ line |                                |                                   |                                     |                                     |   | 21.689      | 1            | 1.235               | 9.485                         | 18.970 | WG                | $\lambda/4$ line         |

- a. Ensure system  $Z_0$  of network analyzer is set to this value.
- b. Open, short, load, delay/thru, or arbitrary impedance.
- c. For waveguide, the lower frequency is the same as  $F_{CO}$ .

**Table A-10 Standard Definitions for the PNA Series with K-Band (WR-42)**

| System $Z_0^a = 1 \Omega$ |                  |                                |                                   |                                     |                                     | Calibration Kit Label: K-band                         |             |              |              |                               |        |                   |                          |
|---------------------------|------------------|--------------------------------|-----------------------------------|-------------------------------------|-------------------------------------|---|-------------|--------------|--------------|-------------------------------|--------|-------------------|--------------------------|
| Standard <sup>b</sup>     |                  | $C0 \times 10^{-15} \text{ F}$ | $C1 \times 10^{-27} \text{ F/Hz}$ | $C2 \times 10^{-36} \text{ F/Hz}^2$ | $C3 \times 10^{-45} \text{ F/Hz}^3$ | Fixed, sliding, or offset load or arbitrary impedance | Offset      |              |              | Frequency in GHz <sup>c</sup> |        | Coax or Waveguide | Standard Label           |
| Number                    | Type             | $L0 \times 10^{-12} \text{ H}$ | $L1 \times 10^{-24} \text{ H/Hz}$ | $L2 \times 10^{-33} \text{ H/Hz}^2$ | $L3 \times 10^{-42} \text{ H/Hz}^3$ |   | Delay in ps | $Z_0 \Omega$ | Loss in GΩ/s | Min                           | Max    |                   |                          |
| 1                         | Offset load      |                                |                                   |                                     |                                     | Offset  |             |              |              | 14.047                        | 28.094 | WG                | Offset load              |
| 2                         | Load             |                                |                                   |                                     |                                     | Fixed   | 0           | 1            | 0            | 14.047                        | 28.094 | WG                | Fixed Load               |
| 3                         |                  |                                |                                   |                                     |                                     |   |             |              |              |                               |        |                   |                          |
| 4                         | Short            | 0                              | 0                                 | 0                                   | 0                                   |   | 0           | 1            | 0            | 14.047                        | 28.094 | WG                | Short                    |
| 5                         | Offset short     | 0                              | 0                                 | 0                                   | 0                                   |   | 15.020      | 1            | 2.750        | 14.047                        | 28.094 | WG                | $\lambda/4$ Offset short |
| 6                         | Thru             |                                |                                   |                                     |                                     |   | 0           | 1            | 0            | 14.047                        | 28.094 | WG                | Thru                     |
| 7                         | $\lambda/4$ line |                                |                                   |                                     |                                     |   | 15.020      | 1            | 2.750        | 14.047                        | 28.094 | WG                | $\lambda/4$ line         |

- Ensure system  $Z_0$  of network analyzer is set to this value.
- Open, short, load, delay/thru, or arbitrary impedance.
- For waveguide, the lower frequency is the same as  $F_{CO}$ .

### Blank Forms

The standard definitions may be changed to meet your specific requirements. Tables A-11 and A-12 are provided to record the modified standard definitions.

**Table A-11 Blank Form for the 8510 Network Analyzer**

| System $Z_0^a =$ _____ |      |                        |                           |  |                             |                             | Calibration Kit Label: _____ |                               |              |                   |                |     |     |
|------------------------|------|------------------------|---------------------------|--|-----------------------------|-----------------------------|------------------------------|-------------------------------|--------------|-------------------|----------------|-----|-----|
| Disk File Name: _____  |      |                        |                           |  |                             |                             |                              |                               |              |                   |                |     |     |
| Number                 | Type | Standard <sup>b</sup>  |                           | Fixed, Sliding, or Offset <sup>c</sup> | Offset                      |                             |                              | Frequency in GHz <sup>d</sup> |              | Coax or Waveguide | Standard Label |     |     |
|                        |      | $C0 \times 10^{-15} F$ | $C1 \times 10^{-27} F/Hz$ |  | $C2 \times 10^{-36} F/Hz^2$ | $C3 \times 10^{-45} F/Hz^3$ | Delay on ps                  | $Z_0 \Omega$                  | Loss in GΩ/s |                   |                | Min | Max |
|                        |      | $L0 \times 10^{-12} H$ | $L1 \times 10^{-24} H/Hz$ | $L2 \times 10^{-33} H/Hz^2$            | $L3 \times 10^{-42} H/Hz^3$ |                             |                              |                               |              |                   |                |     |     |
| 1                      |      |                        |                           |  |                             |                             |                              |                               |              |                   |                |     |     |
| 2                      |      |                        |                           |  |                             |                             |                              |                               |              |                   |                |     |     |
| 3                      |      |                        |                           |  |                             |                             |                              |                               |              |                   |                |     |     |
| 4                      |      |                        |                           |  |                             |                             |                              |                               |              |                   |                |     |     |
| 5                      |      |                        |                           |  |                             |                             |                              |                               |              |                   |                |     |     |
| 6                      |      |                        |                           |  |                             |                             |                              |                               |              |                   |                |     |     |
| 7                      |      |                        |                           |  |                             |                             |                              |                               |              |                   |                |     |     |
| 8                      |      |                        |                           |  |                             |                             |                              |                               |              |                   |                |     |     |
| 9                      |      |                        |                           |  |                             |                             |                              |                               |              |                   |                |     |     |
| 10                     |      |                        |                           |  |                             |                             |                              |                               |              |                   |                |     |     |
| 11                     |      |                        |                           |  |                             |                             |                              |                               |              |                   |                |     |     |
| 12                     |      |                        |                           |  |                             |                             |                              |                               |              |                   |                |     |     |
| 13                     |      |                        |                           |  |                             |                             |                              |                               |              |                   |                |     |     |
| 14                     |      |                        |                           |  |                             |                             |                              |                               |              |                   |                |     |     |
| 15                     |      |                        |                           |  |                             |                             |                              |                               |              |                   |                |     |     |
| 16                     |      |                        |                           |  |                             |                             |                              |                               |              |                   |                |     |     |
| 17                     |      |                        |                           |  |                             |                             |                              |                               |              |                   |                |     |     |
| 18                     |      |                        |                           |  |                             |                             |                              |                               |              |                   |                |     |     |
| 19                     |      |                        |                           |  |                             |                             |                              |                               |              |                   |                |     |     |
| 20                     |      |                        |                           |  |                             |                             |                              |                               |              |                   |                |     |     |
| 21                     |      |                        |                           |  |                             |                             |                              |                               |              |                   |                |     |     |

- a. Ensure system  $Z_0$  of network analyzer is set to this value.
- b. Open, short, load, delay/thru, or arbitrary impedance.
- c. Load or arbitrary impedance only.
- d. For waveguide, the lower frequency is the same as  $F_{CO}$ .

**Table A-12 Blank Form for the PNA Series Network Analyzer**

| System $Z_0^a =$ _____ |                               | Calibration Kit Label: K-band _____ |                           |  |  |  |             |              |              |                                  |     |                   |                |  |
|------------------------|-------------------------------|-------------------------------------|---------------------------|--|--|--|-------------|--------------|--------------|----------------------------------|-----|-------------------|----------------|--|
| Number                 | Standard <sup>b</sup><br>Type | $C0 \times 10^{-15}$ F              | $C1 \times 10^{-27}$ F/Hz | $C2 \times 10^{-36}$ F/Hz <sup>2</sup> | $C3 \times 10^{-45}$ F/Hz <sup>3</sup> | Fixed, sliding, or offset load<br>or arbitrary impedance | Offset      |              |              | Frequency<br>in GHz <sup>c</sup> |     | Coax or Waveguide | Standard Label |  |
|                        |                               | $L0 \times 10^{-12}$ H              | $L1 \times 10^{-24}$ H/Hz | $L2 \times 10^{-33}$ H/Hz <sup>2</sup> | $L3 \times 10^{-42}$ H/Hz <sup>3</sup> |  | Delay in ps | $Z_0 \Omega$ | Loss in GΩ/s | Min                              | Max |                   |                |  |
| 1                      |                               |                                     |                           |  |  |  |             |              |              |                                  |     |                   |                |  |
| 2                      |                               |                                     |                           |  |  |  |             |              |              |                                  |     |                   |                |  |
| 3                      |                               |                                     |                           |  |  |  |             |              |              |                                  |     |                   |                |  |
| 4                      |                               |                                     |                           |  |  |  |             |              |              |                                  |     |                   |                |  |
| 5                      |                               |                                     |                           |  |  |  |             |              |              |                                  |     |                   |                |  |
| 6                      |                               |                                     |                           |  |  |  |             |              |              |                                  |     |                   |                |  |
| 7                      |                               |                                     |                           |  |  |  |             |              |              |                                  |     |                   |                |  |
| 8                      |                               |                                     |                           |  |  |  |             |              |              |                                  |     |                   |                |  |

- a. Ensure system  $Z_0$  of network analyzer is set to this value.
- b. Open, short, load, delay/thru, or arbitrary impedance.
- c. For waveguide, the lower frequency is the same as  $F_{CO}$ .



# Index

## Symbols

¼ wavelength shims, 2-5

## A

adapter characteristics, 2-3  
Agilent Technologies  
  contacting, 6-4  
Agilent Technologies application  
  note, A-2  
alcohol, isopropyl  
  part number, 7-10  
  precautions for use of, 4-4  
aligning  
  non-precision and precision  
    flanges, 4-7  
  precision flanges, 4-6  
altitude, specifications, 2-2  
analyzers, compatible, 1-2  
applications, measurement, 3-3  
assistance, contacting agilent, 6-4

## B

blank forms  
  standard class assignments, A-6  
  standard definitions, A-15  
box, part number, 7-4, 7-6, 7-8

## C

calibration  
  bad, 6-2  
  certificate of, 5-3  
  definitions, A-8  
  part number, 7-4, 7-6, 7-8  
  devices, 3-2  
  kits, intended use, 1-3  
  report, 5-3  
  standards, 5-2  
  sticker, 5-3  
  temperature, 2-2  
calibration applications, 3-3  
  1/4 load, 3-4  
  1/4 short, 3-5  
  line, 3-3  
  load, 3-4  
  offset load, 3-4  
  offset short, 3-5  
  reflect, 3-5  
  short, 3-5  
  thru, 3-6  
calibration definition, wavelength  
  shim, 3-7  
calibration definitions disk  
  K-band, 7-8  
  P-band, 7-6  
  X-band, 7-4  
calibration kit

Agilent Application Note, A-2  
contents, 1-2  
  drawing of, 7-5, 7-7, 7-9  
  modifying definition files, A-2  
  overview, 1-2  
  parts not included, 7-10  
  performance  
    how Agilent verifies, 5-2  
    verifying, 5-2  
case, storage, 7-4, 7-6, 7-8  
certificate of calibration, 5-3  
certification, device specifications,  
  2-6  
characteristics  
  adapter, 2-3  
  mechanical, 2-3  
class assignments  
  blank forms, A-6  
  downloading from Agilent Web  
    site, A-2  
class assignments, standard, A-3,  
  A-4, A-6  
cleaning  
  connectors, 4-3  
  mating plane surfaces, 4-4  
  supplies, 1-3  
  part number, 7-10  
compatible analyzers, 1-2  
component identification sheets  
  K-band, 7-9  
  P-band, 7-7  
  X-band, 7-5  
compressed air  
  for cleaning, 4-3  
conductive table mat, part  
  number, 7-10  
connecting  
  flanges, 4-5, 4-8  
  for ESD protection, 4-2, 7-10  
  waveguides, 4-5  
connections, 4-5  
connector  
  cleaning, 4-3  
  mating plane surfaces, 4-4  
  contacting Agilent Technologies,  
    6-4  
contents  
  calibration kit, 1-2  
  drawing of, 7-5, 7-7, 7-9  
  incomplete, 1-3

## D

damage  
  caused by electrostatic  
    discharge, 4-2  
data, recertification, 5-3  
definitions, A-8

calibration, 3-7  
disk, part numbers, 7-4, 7-8  
  standard, A-8, A-9, A-10, A-11,  
    A-12, A-13, A-14, A-15  
device  
  calibration, 3-2  
  cleaning, 4-3  
  compatible analyzers, 1-2  
  connecting, 4-5  
  handling, 4-9  
  maintenance, 1-5  
  performance, verifying, 5-2  
  specifications  
    certification of, 2-6  
    electrical, 2-5  
    traceability, 5-2, 5-3  
  storage, 4-9  
  temperature, 2-2  
  visual inspection, 4-3  
disk  
  calibration definitions  
    part number, 7-4, 7-6, 7-8  
  specifications and performance  
    part number, 7-4  
documentation warranty, -ii  
documented kits, 1-3

## E

Electrical, 2-5  
electrical  
  characteristics  
    effects of temperature, 2-2  
    specifications of shims, 2-5  
    specifications of standard  
      sections, 2-5  
    specifications of terminations,  
      2-5  
electrostatic discharge, *See* ESD  
environmental  
  regulations, 4-4  
  requirements, 2-2  
  specifications, 2-2  
equipment required, 1-3  
ESD, 4-2  
  protection, 4-2  
  supplies, part number, 7-10

## F

flange, connect, 4-8  
flowchart, troubleshooting, 6-2  
frequency specification, 2-5

## G

general information, 1-1  
grounding cord, part number,  
  7-10

## H

handling, 4-9  
heel strap, part number, 7-10  
history, serial numbers, 1-3  
humidity specifications, 2-2

## I

impedance, system, A-8  
incoming inspection, 1-3  
information, troubleshooting, 6-3  
inspection  
  flange connection, 4-8  
  incoming, 1-3  
  visual, 4-3  
isolation, 3-3  
isopropyl alcohol  
  part number, 7-10  
  precautions for use of, 4-4

## K

kit  
  contents, 1-2, 7-4, 7-8  
  drawing of, 7-5, 7-7, 7-9  
  overview, 1-2  
  performance  
    failure, 6-2  
    verification, 5-2

## L

line, 3-3  
load, 3-4  
load, part numbers, 7-4

## M

maintenance  
  of devices, 1-5  
  preventive, 1-5  
manual, part number, 7-4, 7-6, 7-8  
mat  
  conductive  
    part number, 7-10  
  for ESD protection, 4-2  
mating plane surfaces  
  cleaning, 4-4  
  connector, 4-4  
measurement applications, 3-3  
  isolation, 3-3  
measurement uncertainty, 2-6  
mechanical characteristics, 2-3  
modifying calibration kit  
  definition files, A-2

## N

National Institute of Standards and Technology (NIST), 2-6, 5-2  
network analyzers, compatible, 1-2  
nitrogen, for cleaning, 4-3  
nominal standard definitions, A-8  
non-precision flanges, aligning, 4-7  
numbers, replaceable parts, 7-4, 7-8, 7-10  
numbers, serial, 1-4

## O

offset load, 3-4  
offset short, 3-5  
ordering, parts, 7-3, 7-10  
oxygen, 4-3

## P

part numbers  
  included in kit, 7-4, 7-6, 7-8  
  not included in kit, 7-10  
performance  
  verification, 5-2, 6-2  
performance test, 5-4, 5-5  
precision flanges, 4-5, 4-6, 4-7  
preventive maintenance, 1-5  
procedures  
  aligning flanges, 4-6  
  cleaning, 4-3  
  tightening flanges, 4-8

## Q

quarter-wave shims, 2-4, 2-5

## R

recertification  
  how often, 5-3  
  services included, 5-3  
record serial number, 1-4  
reflect, 3-5  
regulations, environmental, 2-2, 4-4  
replaceable parts  
  drawing of, 7-5, 7-7, 7-9  
  K11644A WR-42, 7-8  
  P11644A WR-62, 7-6  
  X11644A WR-90, 7-4  
report, calibration, 5-3  
required equipment, 1-3  
requirements, environmental, 2-2  
return kit or device to Agilent, 1-3, 6-3

return loss specification  
  standard sections, 2-5  
  terminations, 2-5

## S

serial numbers, 1-4  
  devices, 1-4  
  history, 1-3  
  recording, 1-4  
service, 6-3  
service tag, 5-3, 6-3  
shim, 3-2  
shims, electrical specifications, 2-5  
shims, mechanical  
  characteristics, 2-4  
short, 3-5  
  part numbers, 7-4, 7-6, 7-8  
shorts, mechanical  
  characteristics, 2-4  
specifications  
  altitude  
    operating, 2-2  
    storage, 2-2  
  certification of, 2-6  
  characteristics, 2-3  
  device, 2-5  
  electrical, 2-5  
  environmental, 2-2  
  frequency, 2-5  
  operating, 2-2  
  return loss of shims, 2-5  
  return loss of standard sections, 2-5  
  return loss of terminations, 2-5  
  storage, 2-2  
  temperature, 2-2  
  traceability, 5-2, 5-3  
Standard, A-5  
standard class assignments, A-3  
  8510, A-3, A-4  
  blank forms, A-6  
  PNA, A-5  
standard definitions  
  blank forms, A-15  
  downloading from Agilent Web site, A-2  
  K-band (WR-42), A-11  
  nominal, A-8  
  P-band (WR-62), A-10  
  PNA series, A-12, A-13, A-14  
  R-band (WR-28), A-12, A-13, A-14  
  X-band (WR-90), A-9  
standard section, 3-2  
standards  
  international, 2-6

---

# Index

---

National Institute of Standards and Technology (NIST), [2-6](#), [5-2](#)  
static electricity, [4-2](#)  
storage, [4-9](#)  
storage case, part number, [7-4](#), [7-6](#), [7-8](#)  
strap  
  heel and wrist, part number, [7-10](#)  
supplies, cleaning, [1-3](#)  
  part number, [7-10](#)  
system impedance, [A-8](#)

## T

table mat  
  for ESD protection, [4-2](#)  
  part number, [7-10](#)  
tag, service, [5-3](#), [6-3](#)  
temperature  
  affect on electrical performance, [2-2](#)  
  cautions about, [2-2](#)  
  environmental requirements, [2-2](#)  
  error-corrected, [2-2](#)  
  measurement, [2-2](#)  
  specifications, [2-2](#)  
  verification and measurement, [2-2](#)  
termination, [3-2](#)  
test data, [5-3](#)  
test, performance, [5-4](#), [5-5](#)  
thru, [3-6](#)  
traceability  
  of device specifications, [5-2](#), [5-3](#)  
troubleshooting, flowchart, [6-2](#)

## U

uncertainty, measurement, [2-6](#)

## V

verification  
  device, [5-2](#)  
  performance, [5-3](#)  
  temperature, [2-2](#)  
version changes, [A-2](#)  
visual inspection, [4-3](#)

## W

warranty, documentation, [-ii](#)  
waveguide, connecting, [4-5](#)  
wavelength shim, [3-2](#)  
wavelength shim, calibration  
  definition, [3-7](#)  
wrench